

## Parts Manual (EN)

### Models:

28" & 32" Disk  
26" & 30" Cylindrical  
24" & 28" Orbital



Read the Operators Manual  
before using the machine.

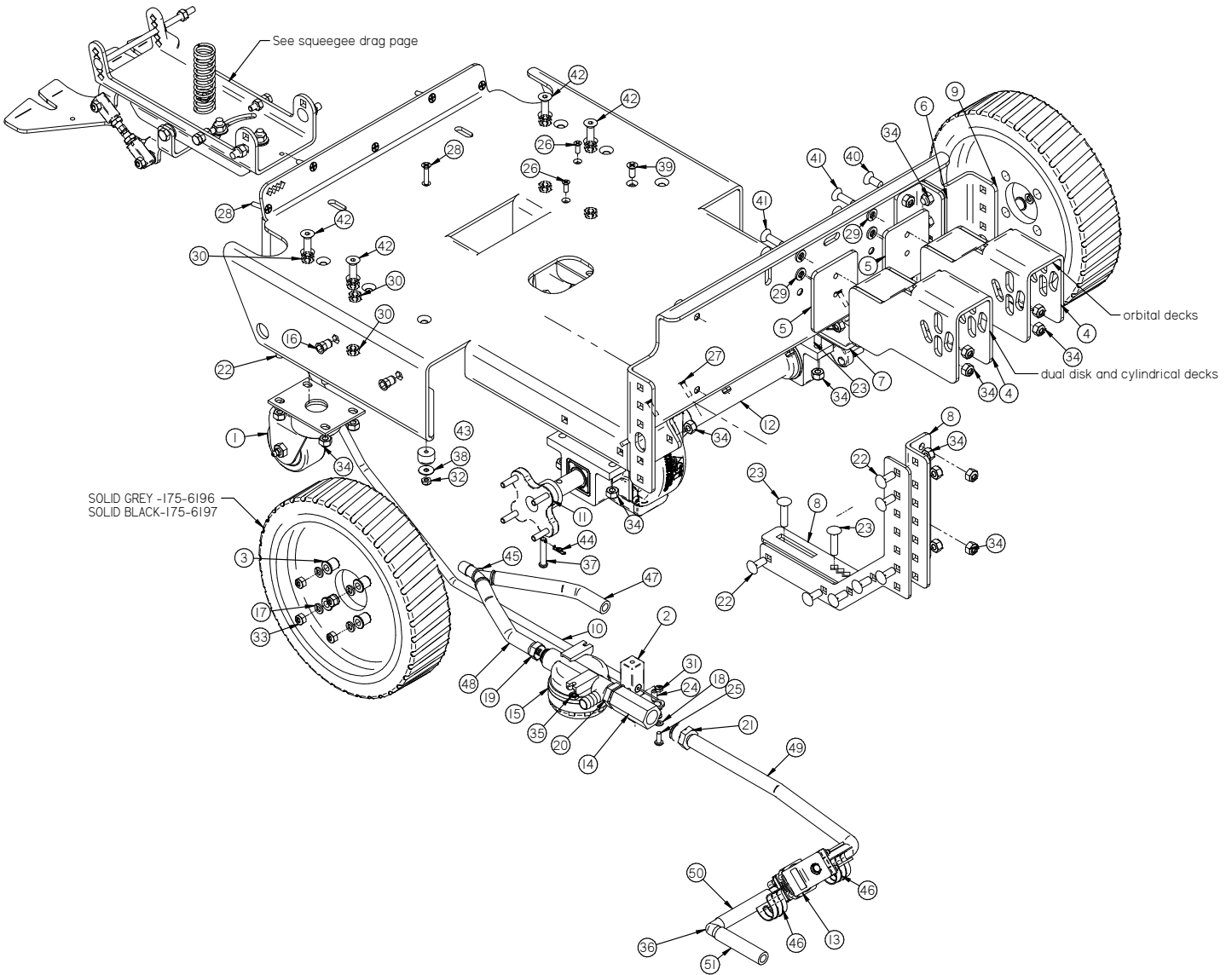


Read the Safety Messages  
before servicing machine.

## CONTENTS

Frame . . . . .	.3
Squeegee Trail Arm . . . . .	.4
28 Inch Disk Scrub Deck . . . . .	.5
32 Inch Disk Scrub Deck . . . . .	.6
26 And 28 Inch Disk Shroud . . . . .	.7
Orbital Lift Arm . . . . .	.8
24 Inch Orbital Deck . . . . .	.9
28 Inch Orbital Deck . . . . .	10
26 Inch cylindrical Deck . . . . .	11
30 Inch cylindrical Deck . . . . .	12
Cylindrical Door . . . . .	13
Cylindrical Deck Arm . . . . .	14
Solution Tank Assembly . . . . .	15
Recovery Tank Assembly . . . . .	16
Squeegee Lift Bracket . . . . .	17
Central Command . . . . .	18
Battery Pack And Chargers . . . . .	19
Options . . . . .	20
Squeegees . . . . .	21
Common Wear Parts . . . . .	22

# FRAME

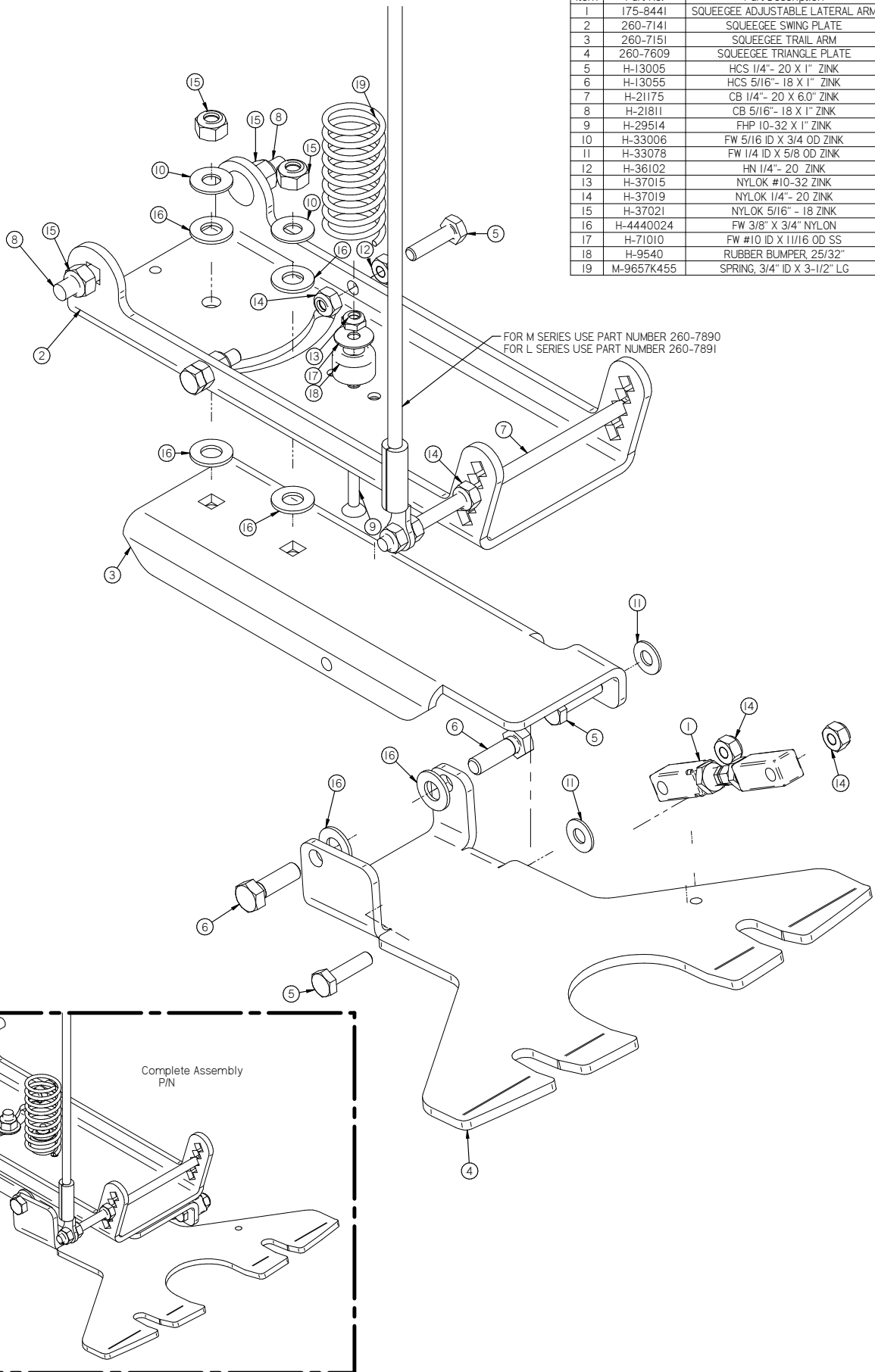


SOLID GREY -175-6196  
SOLID BLACK-175-6197

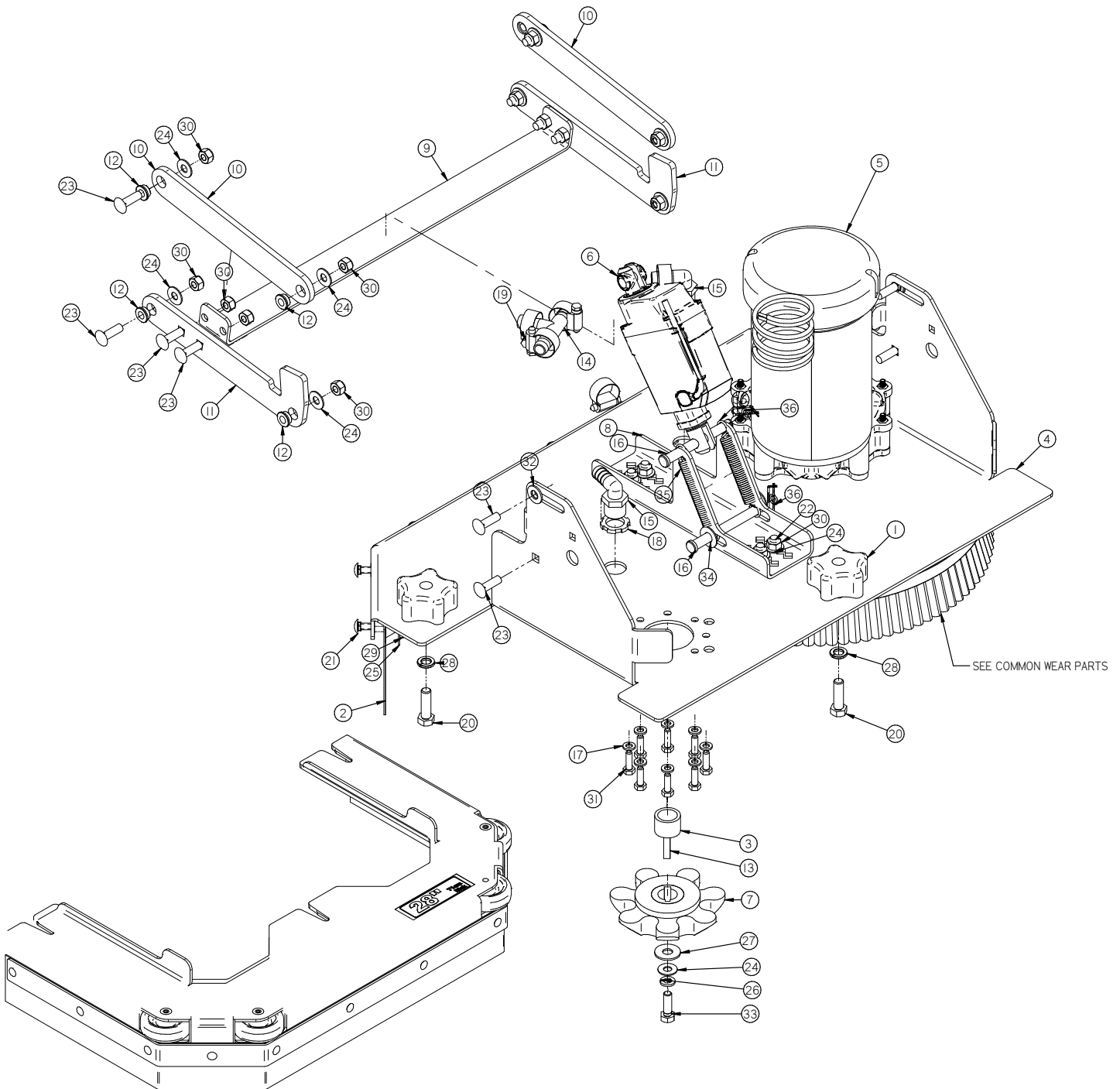
Item	Part No.	Part Description	Qty.	Item	Part No.	Part Description	Qty.
1	150-3030	CASTER	2	27	H-29510	FHP 10-32 X 3/4" ZINK	3
2	150-9131	CABLE GUIDE	1	28	H-29514	FHP 10-32 X 1" ZINK	6
3	253-1245	BUSHING	8	29	H-33620	LW 5/16" ZINK	4
4	260-0990	LIFTING BRACKET	2	30	H-36104	HN 5/16"- 18 ZINK	8
5	260-0995	THREADED PLATE	2	31	H-37010	NYLOK #6-32 SS	1
6	260-1003	FRAME BRACE	2	32	H-37015	NYLOK #10-32 ZINC	3
7	260-1004	LEFT 36V FRAME BRACKET	1	33	H-37019	NYLOK 1/4"- 20 ZINC	12
8	260-1005	RIGHT 36V FRAME BRACKET	1	34	H-37021	NYLOK 5/16"- 18 ZINC	40
9	260-1100	FRAME BASE (36V)	1	35	H-37408	KN #10-32 ZINK	2
10	260-2015	PUSH PULL CABLE	1	36	H-54635	1/2 X 1/2 X 90 BARBED ELBOW, NYLON	1
11	260-3001D	TRANS AXLE HUB	2	37	H-66029	1/4" X 1 3/8" CLEVIS PIN	2
12	260-3010D	TRANS AXLE (36V)	1	38	H-71010	FW #10 ID X 11/16 OD SS	1
13	260-7500	36V VALVE	1	39	H-94223	FHP 1/4"- 20 X 5/8" ZINK	1
14	290-4158	1/2" NPT BALL VALVE	1	40	H-94254	FHSCS 5/16"- 18 X 3/4" ZINK	4
15	370-9130	INLINE FILTER	1	41	H-94256	FHSCS 5/16"- 18 X 1" ZINK	4
16	H-00918	HCN 1/4"-20 LG	4	42	H-94267	FHSCS 5/16"- 18 X 5.0" ZINK	8
17	H-0157797	LW 1/4" ZINK	8	43	H-9540	RUBBER BUMPER, 25/32"	2
18	H-0159717	FW #6 ZINK	1	44	H-RUE8	RUE RING COTTER	2
19	H-04763	.375 NPT X .50 BARB	1	45	M-5463K727	WYE, 1/2", NYLON	1
20	H-04763	.375 NPT X .50 BARB	1	46	M-9434T22	I.O DIA One Hole Tube Clamp	2
21	H-04788	.50 NPT X .50 BARB	1	47	T-050C6000	BULK 1/2" ID X 5' CLEAR SOLUTION HOSE	1
22	H-21810	CB 5/16"- 18 X 3/4" ZINK	20	48	T-050C6000	BULK 1/2" ID X 5' CLEAR SOLUTION HOSE	1
23	H-21812	CB 5/16"- 18 X 1-1/4" ZINK	4	49	T-050C6000	BULK 1/2" ID X 5' CLEAR SOLUTION HOSE	1
24	H-25382	SETSCREW KCP, 1/4"-20 X 1/2"	1	50	T-050C6000	BULK 1/2" ID X 5' CLEAR SOLUTION HOSE	1
25	H-28804	PPH #6-32 X 1/2" ZINK	1	51	T-050C6000	BULK 1/2" ID X 5' CLEAR SOLUTION HOSE	1
26	H-29506	FHP #10-32 X 1/2" ZINK	4				

# SQUEEGEE TRAIL ARM

Item	Part No.	Part Description	Qty.
1	175-8441	SQUEEGEE ADJUSTABLE LATERAL ARM	1
2	260-7141	SQUEEGEE SWING PLATE	1
3	260-7151	SQUEEGEE TRAIL ARM	1
4	260-7609	SQUEEGEE TRIANGLE PLATE	1
5	H-13005	HCS 1/4"- 20 X 1" ZINK	4
6	H-13055	HCS 5/16"- 18 X 1" ZINK	2
7	H-21175	CB 1/4"- 20 X 6.0" ZINK	1
8	H-21811	CB 5/16"- 18 X 1" ZINK	4
9	H-29514	FHP 10-32 X 1" ZINK	1
10	H-33006	FW 5/16 ID X 3/4 OD ZINK	2
11	H-33078	FW 1/4 ID X 5/8 OD ZINK	2
12	H-36102	HN 1/4"- 20 ZINK	2
13	H-37015	NYLOK #10-32 ZINK	1
14	H-37019	NYLOK 1/4"- 20 ZINK	7
15	H-37021	NYLOK 5/16"- 18 ZINK	6
16	H-4440024	FW 3/8" ID X 3/4" NYLON	6
17	H-71010	FW #10 ID X 11/16 OD SS	1
18	H-9540	RUBBER BUMPER, 25/32"	1
19	M-9657K455	SPRING, 3/4" ID X 3-1/2" LG	1

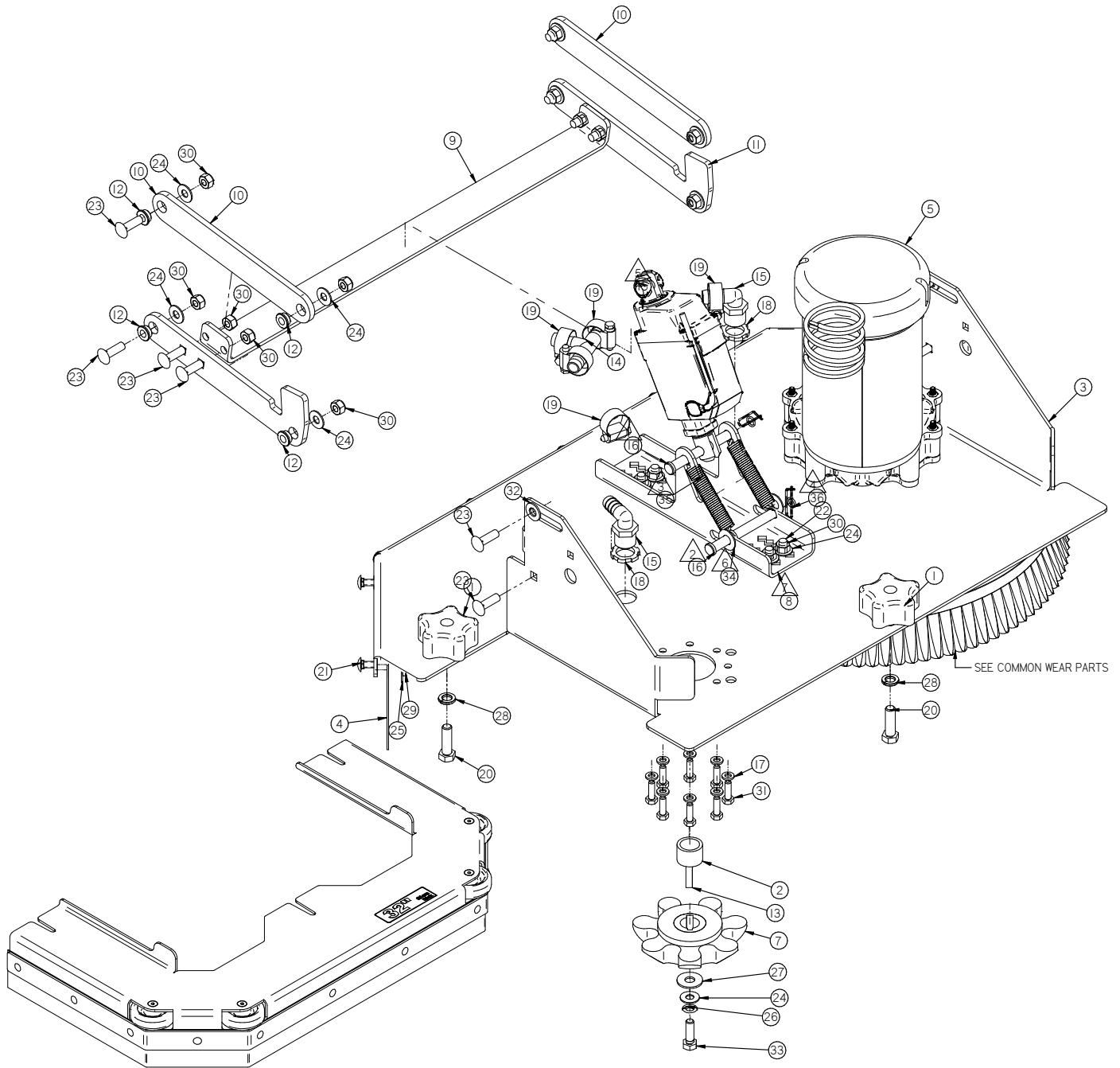


# 28 INCH DISK SCRUB DECK



Item	Part No.	Part Description	Qty.	Item	Part No.	Part Description	Qty.
1	150-5786	STAR KNOB, 3/8-16 THREAD	3	19	H-081	CLAMP 1.0"- 1-1/8" SS	5
2	175-1077	28" REAR DECK CURTAIN	1	20	H-13107	HCS 3/8"- 16 X 1-1/4" ZINK	3
3	175-5005	DRIVER SPACER	2	21	H-21795	CB 1/4"- 20 X 5" ZINK	9
4	260-0503	28" (24V) DISK DECK	1	22	H-21810	CB 5/16"- 18 X 3/4" ZINK	4
5	260-2112	MOTOR, 36V, 3/4 HP, 270 RPM	2	23	H-21811	CB 5/16"- 18 X 1" ZINK	12
6	260-2215	2-1/2 INCH STROKE ACTUATOR (36V)	1	24	H-33006	FW 5/16 ID X 3/4 OD ZINK	14
7	260-5000	BRUSH DRIVER RED HARD COAT (L7-LOBE_)	2	25	H-33207	FNW 1/4 ID X 1.0 OD ZINK	9
8	260-9003	DISK LIFTING BRACKET (26 AND 28)	1	26	H-33620	LW 5/16" ZINK	2
9	260-9580	LIFT ARM CROSS BAR 24V 28" DISK	1	27	H-33622	FW 3/8" ZINK NOM ID .4375 X OD 1.0	2
10	260-9585	UPPER LATERAL ARM, DISK	2	28	H-33622	LW 3/8" ZINK	3
11	260-9586	LATERAL ARM, DISK	2	29	H-37020	JNYL 1/4" - 20 ZINK	9
12	370-1247	BUSHING 5/16 X 1/2 X 3/16	8	30	H-37021	NYLOK 5/16" - 18 ZINK	16
13	5-431	1/4" X 1" KEY	2	31	H-38564	M6 METRIC BOLT	16
14	5-446	1/2 " PLASTIC BARB TEE	1	32	H-4440024	FW 3/8" X 3/4 NYLON	2
15	5-447	1/2 NPT X 1/2" BARB ELBOW	2	33	H-70055	HCS 5/16"- 18 X 1" SS	2
16	H-0156758	3/8" X 3-1/2" CLEVIS PIN	2	34	H-71017	FW 3/8 ID X 7/8 OD SS	2
17	H-0157797	LW 1/4" ZINK	16	35	H-96544	SPRING, 4-1/8" LG X 9/16" OD (42E)	2
18	H-07005	1/2" NPT LOCKNUT	4	36	H-RUE14	3/8" RUE RING COTTER	2

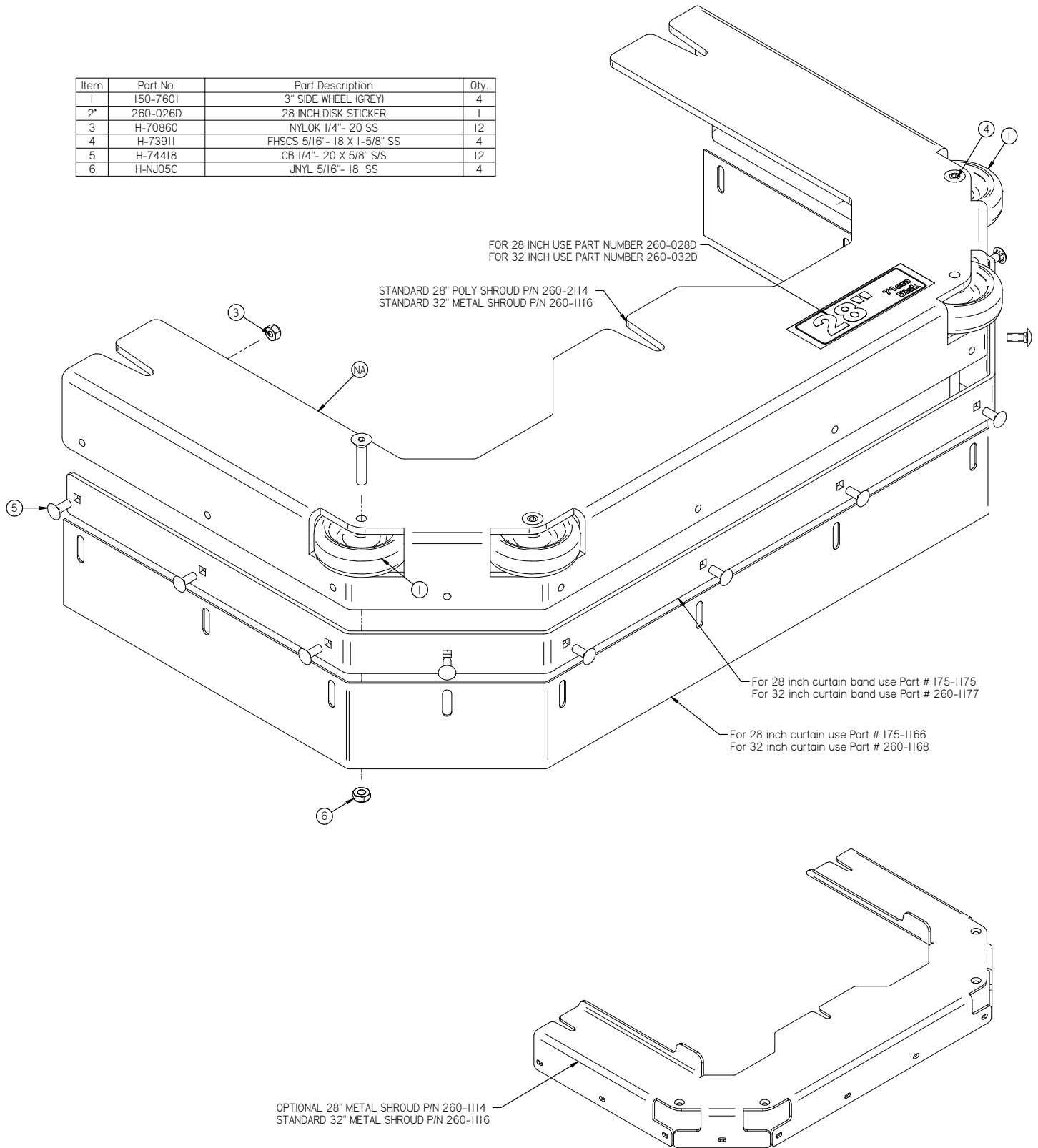
# 32 INCH DISK SCRUB DECK



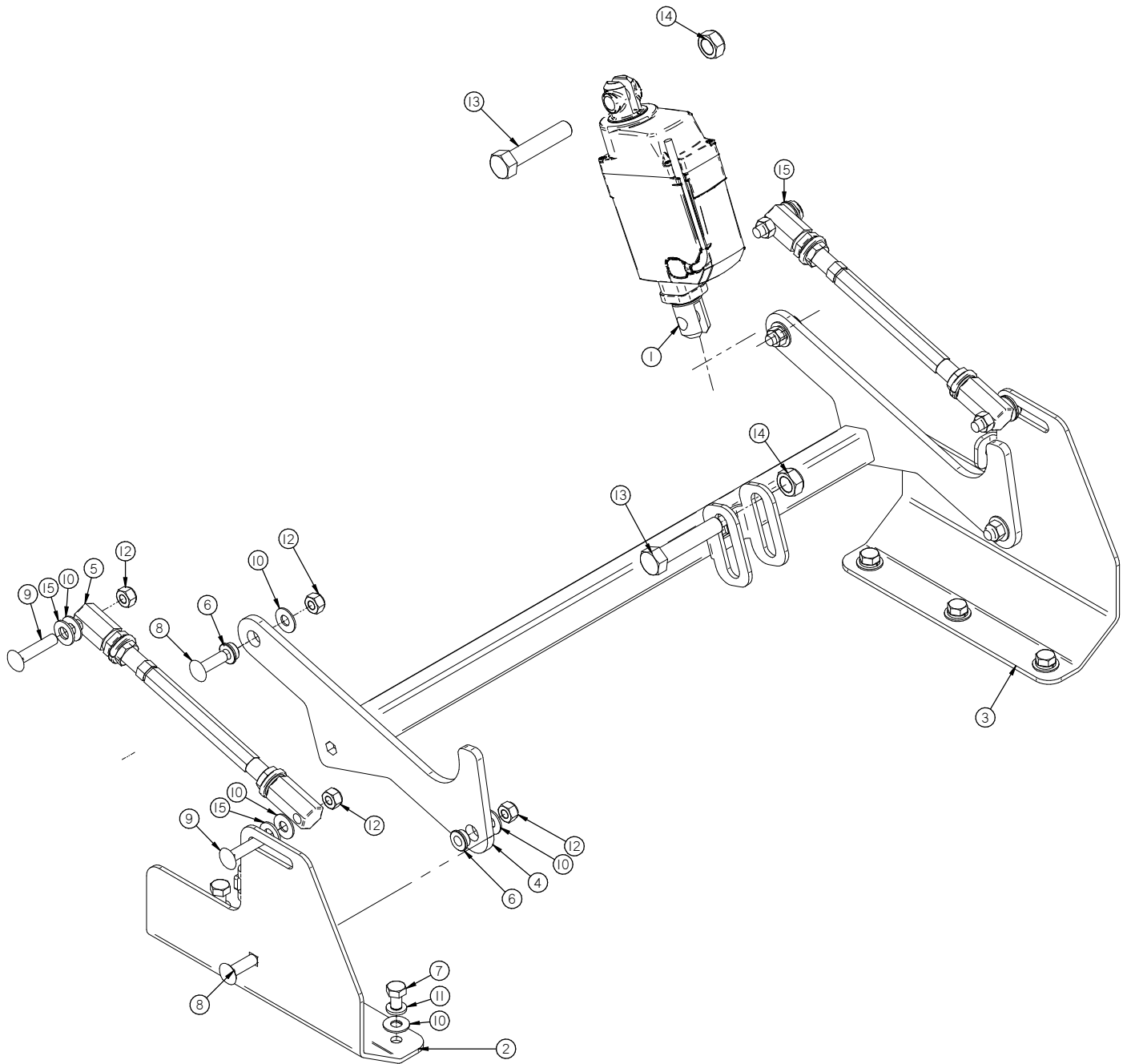
Item	Part No.	Part Description	Qty.	Item	Part No.	Part Description	Qty.
1	150-5786	STAR KNOB, 3/8-16 THREAD	3	19	H-081	CLAMP 1.0"- 1-1/8" SS	5
2	175-5005	DRIVER SPACER	2	20	H-13107	HCS 3/8"- 16 X 1-1/4" ZINK	3
3	260-0505	32" (36V) DISK DECK	1	21	H-21795	CB 1/4"- 20 X .5" ZINK	9
4	260-1079	32 REAR DECK CURTAIN	1	22	H-21810	CB 5/16"- 18 X 3/4" ZINK	4
5	260-2112	MOTOR, 36V, 3/4 HP, 270 RPM	2	23	H-21811	CB 5/16"- 18 X 1" ZINK	12
6	260-2215	2-1/2 INCH STROKE ACTUATOR (36V)	1	24	H-33006	FW 5/16 ID X 3/4 OD ZINK	14
7	260-5000	BRUSH DRIVER RED HARD COAT (L7-LOBE)	2	25	H-33207	FNW 1/4 ID X 1.0 OD ZINK	9
8	260-9003	DISK LIFTING BRACKET (26 AND 28)	1	26	H-33620	LW 5/16" ZINK	2
9	260-9578	LIFT ARM CROSS BAR (36V) DISK	1	27	H-33622	FW 3/8" ZINK NOM ID .4375 X OD 1.0	2
10	260-9585	UPPER LATERAL ARM, DISK	2	28	H-33622	LW 3/8" ZINK	3
11	260-9586	LATERAL ARM, DISK	2	29	H-37020	JNYL 1/4" - 20 ZINK	9
12	370-1247	BUSHING 5/16 X 1/2 X 3/16	8	30	H-37021	NYLOK 5/16" - 18 ZINK	16
13	5-431	1/4" X 1" KEY	2	31	H-38564	M6 METRIC BOLT	16
14	5-446	1/2" PLASTIC BARB TEE	1	32	H-4440024	FW 3/8" X 3/4 NYLON	2
15	5-447	1/2 NPT X 1/2" BARB ELBOW	2	33	H-70055	HCS 5/16"- 18 X 1" SS	2
16	H-0156758	3/8" X 3-1/2" CLEVIS PIN	2	34	H-71017	FW 3/8 ID X 7/8 OD SS	2
17	H-0157797	LW 1/4" ZINK	16	35	H-96544	SPRING, 4-1/8" LG X 9/16" OD (42E)	2
18	H-07005	1/2" NPT LOCKNUT	4	36	H-RUE14	3/8" RUE RING COTTER	2

# 26 AND 28 INCH DISK SHROUD

Item	Part No.	Part Description	Qty.
1	150-760I	3" SIDE WHEEL (GREY)	4
2	260-026D	28 INCH DISK STICKER	1
3	H-70860	NYLOK 1/4"- 20 SS	12
4	H-7391I	FHSCS 5/16"- 18 X 1-5/8" SS	4
5	H-74418	CB 1/4"- 20 X 5/8" S/S	12
6	H-NJ05C	JNYL 5/16"- 18 SS	4



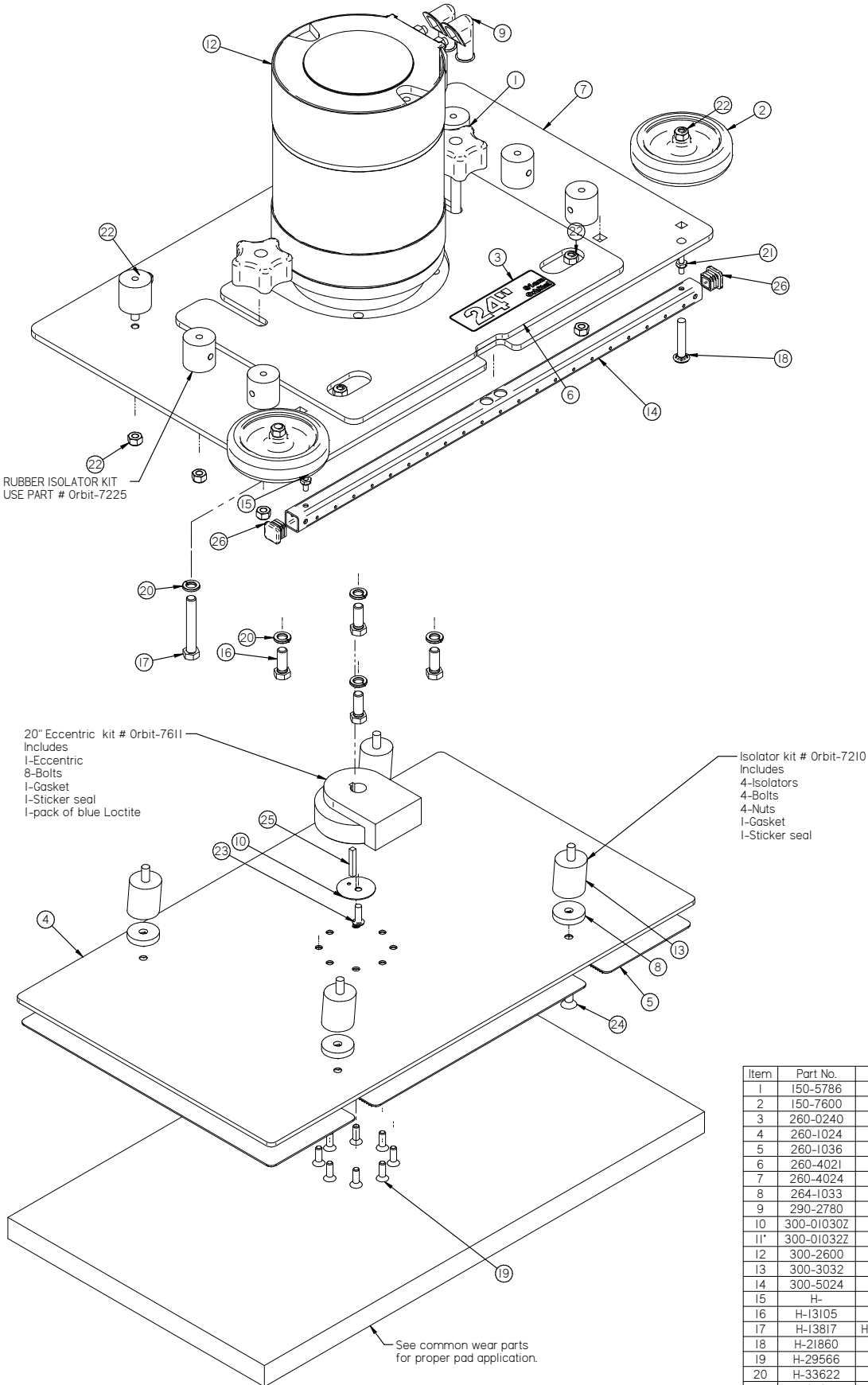
# ORBITAL LIFT ARM



Item	Part No.	Part Description	Qty.
1	260-2215	2-1/2 INCH STROKE ACTUATOR (36V)	1
2	260-9082	(LH) DECK BRACKET (36V)	1
3	260-9083	(RH) DECK BRACKET (36V)	1
4	260-9583	LATERAL ARM (EDGE) (36V)	1
5	264-8431	ADJUSTABLE LATERAL ARM	2
6	370-1247	BUSHING 5/16 X 1/2 X 3/16	4
7	H-13051	HCS 5/16"- 18 X 1/2" ZINK	6
8	H-21811	CB 5/16"- 18 X 1" ZINK	4
9	H-21813	CB 5/16"- 18 X 1-1/2" ZINK	4
10	H-33006	FW 5/16 ID X 3/4 OD ZINK	14
11	H-33620	LW 5/16" ZINK	6
12	H-37021	NYLOK 5/16" - 18 ZINK	8
13	H-38712	HCS M12-1.75 X 60MM ZINK	2
14	H-40171	NYLOK M12-1.75 ZINK	2
15	H-4440024	FW 3/8" X 3/4" NYLON	4



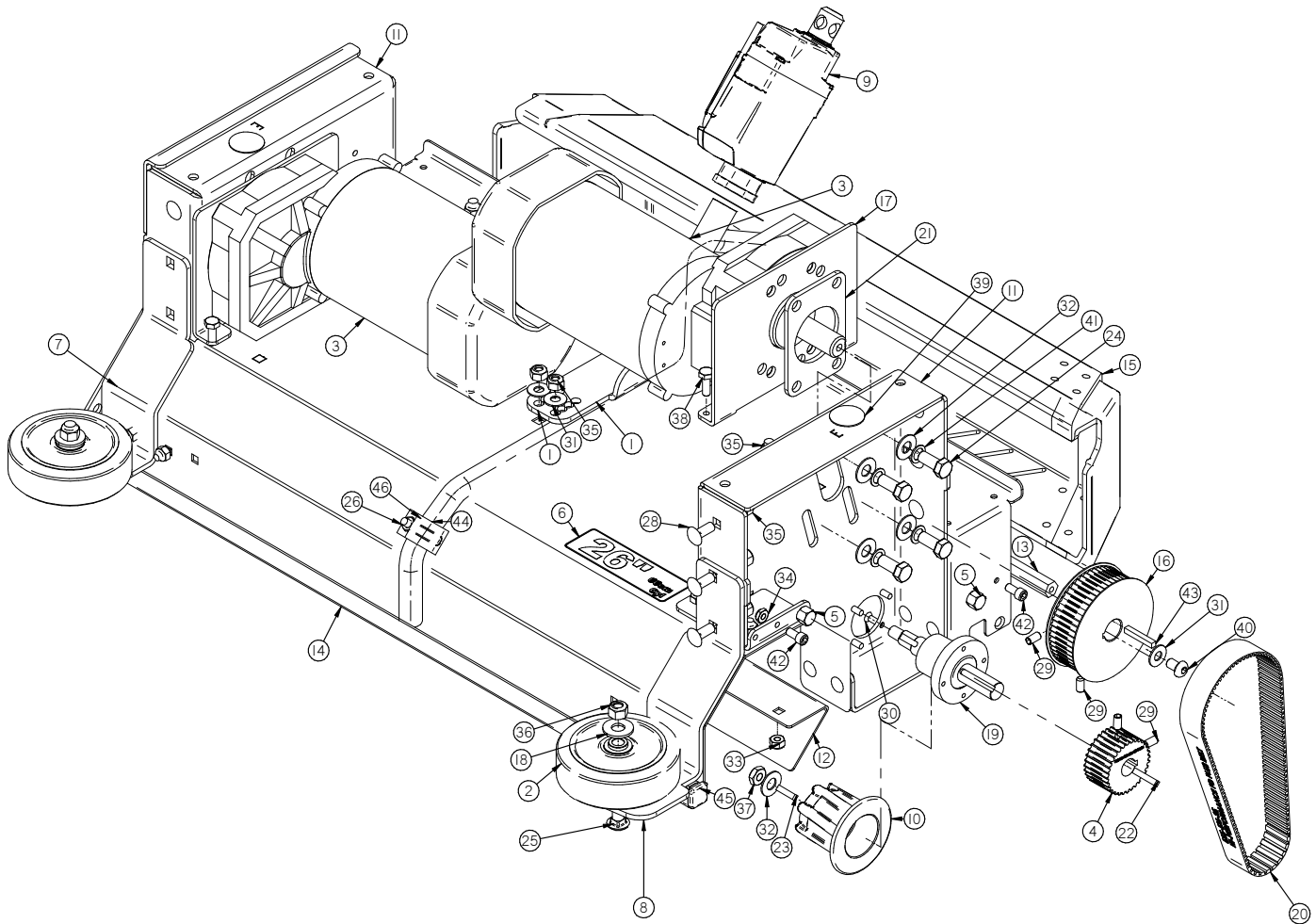
# 24 INCH ORBITAL DECK



Item	Part No.	Part Description	Qty.
1	150-5786	STAR KNOB, 3/8-16 THREAD	2
2	150-7600	4" SIDE WHEEL (GREY)	2
3	260-0240	24 INCH ORBITAL STICKER	1
4	260-1024	24 INCH ALUMINUM PAD DRIVER	1
5	260-1036	24" GRIP FACE	1
6	260-4021	8.25 LBS WEIGHT (YELLOW)	1
7	260-4024	24 INCH SQUARE HEAD DECK	1
8	264-1033	1/4" SPACER	4
9	290-2780	TERMINAL BOOT, BLACK	2
10	300-01030Z	CRUSH WASHER	1
11	300-01032Z	1-1/4X1-1/4X5/16-18 ISO DI ISOLATOR	6
12	300-2600	36V JHP, 2700 RPM	1
13	300-3032	1-1/4X1-1/2X5/16-18 ISO DI ISOLATOR	4
14	300-5024	SOLUTION FEED TUBE (24")	1
15	H-	CB #10-32 X 1-1/2" ZINK	2
16	H-13105	HCS 3/8" - 16 X 1" ZINK	4
17	H-13817	HCS 3/8" - 16 X 2-1/2" ZINK (FULLY THREADED)	2
18	H-21860	CB 5/16" - 18 X 1-3/4" ZINK	2
19	H-29566	FHP 1/4" - 20 X 3/4" ZINK	8
20	H-33622	LW 3/8" ZINK	6
21	H-37015	NYLOK #10-32 ZINK	2
22	H-37021	NYLOK 5/16" - 18 ZINK	12
23	H-73754	BHSCS 1/4 - 20 X 3/4" SS	1
24	H-94254	FHSCS 5/16" - 18 X 3/4" ZINK	4
25	H-K14320	3/16" X 1 1/4" KEY	1
26	M-9565K5	3/4 X 3/4 SQ TUBE PLUG	2

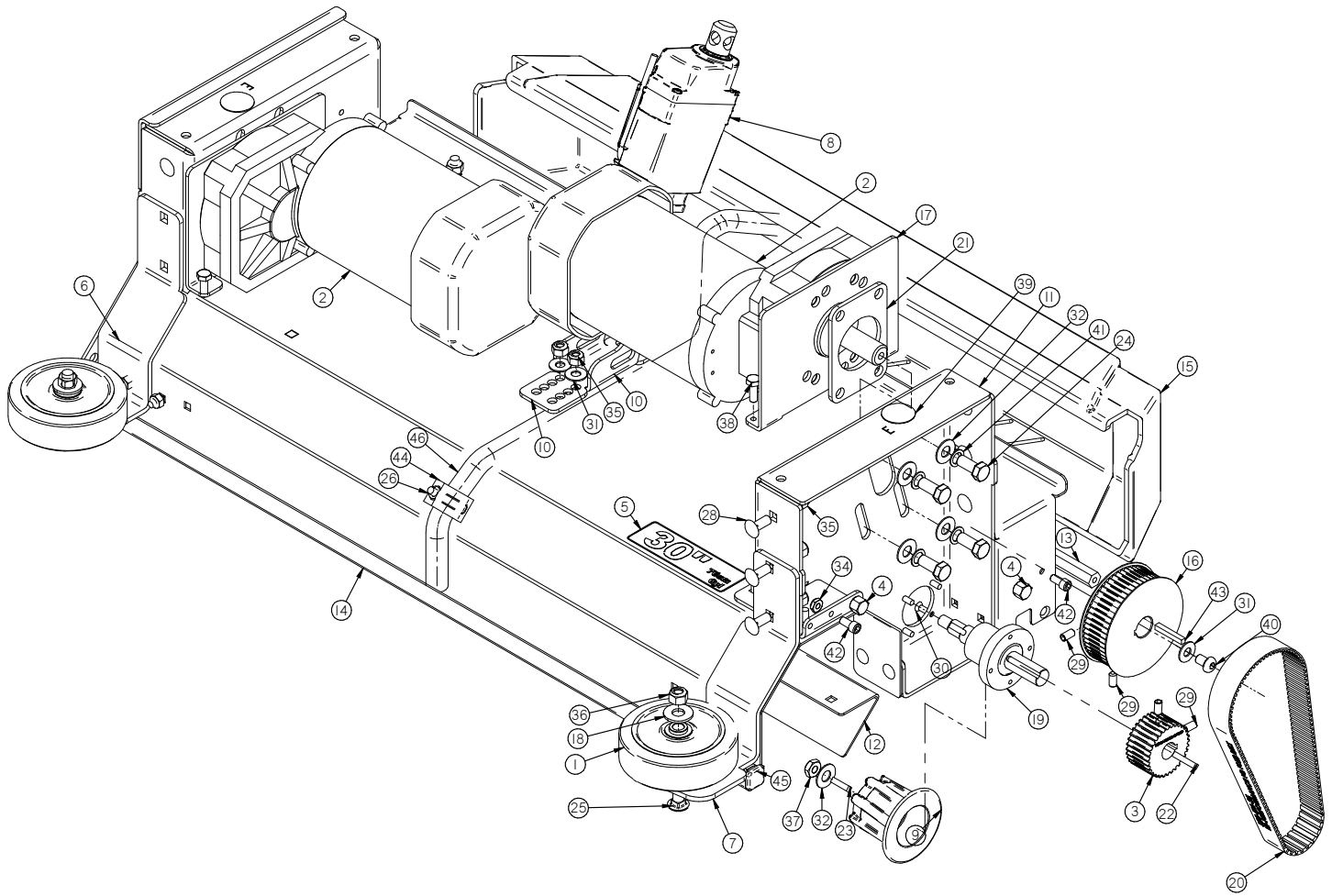


# 26 INCH CYLINDRICAL DECK



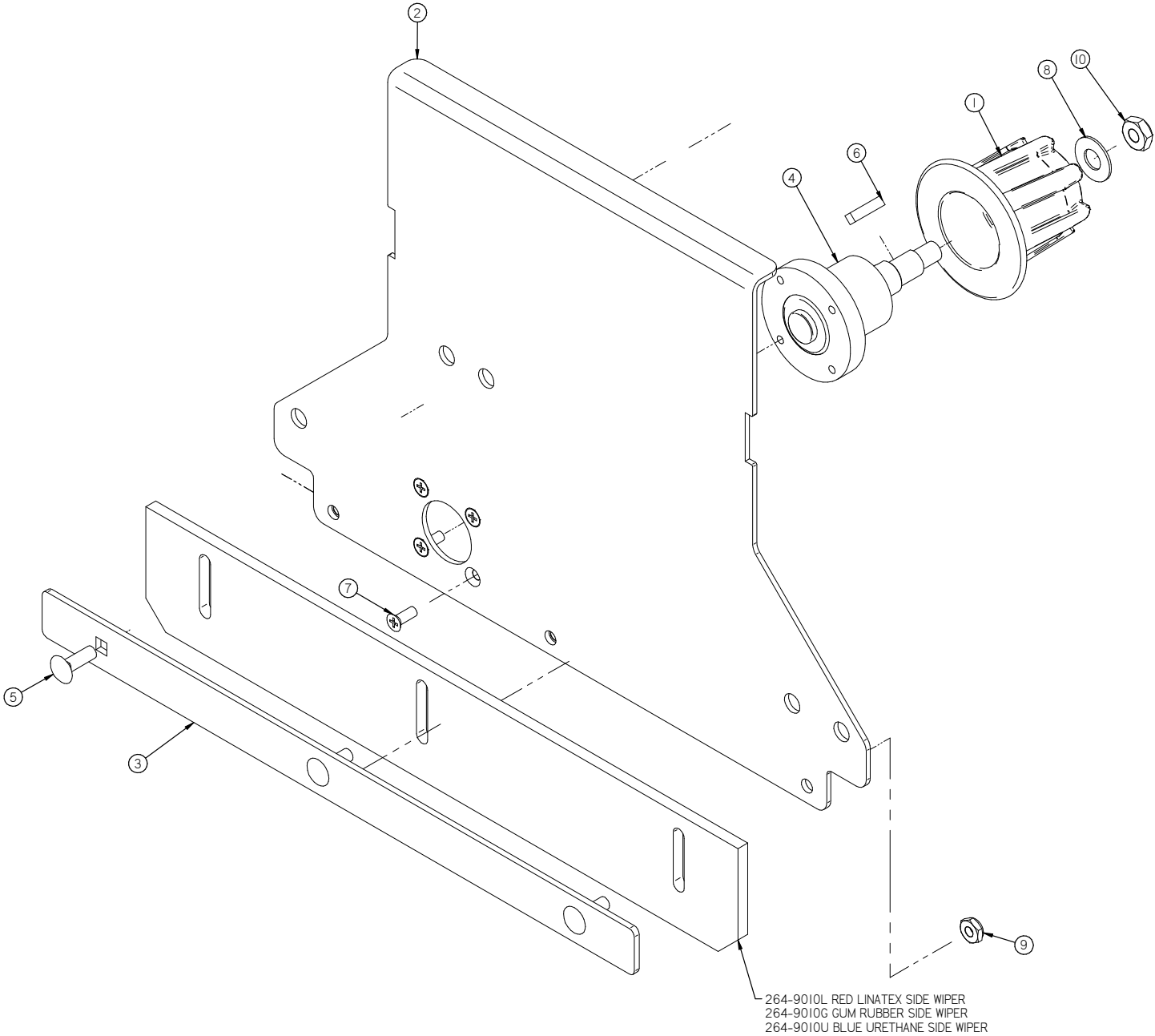
Item	Part No.	Part Description	Qty.	Item	Part No.	Part Description	Qty.
1	150-9006	DECK LIFTING BRACKET	1	24	H-17104	HCS 3/8"-24 X 7/8" ZINC	8
2	190-3030	4.0" WHEEL (GRAY)	2	25	H-21362	CB 3/8"-16 X 2-1/4" ZINC	2
3	250-201	MOTOR, 36V, 3/4 HP, 350 RPM	2	26	H-21795	CB 1/4"-20 X .5" ZINC	2
4	253-8215	TIMING SPROCKET 32 TOOTH	2	27	H-21800	CB 1/4"-20 X 5/8" ZINC	22
5	253-9024	THUMB SCREW	4	28	H-21810	CB 5/16"-18 X 3/4" ZINC	22
6	260-026C	26 INCH CYLINDRICAL STICKER	1	29	H-25382	SETSCREW, KCP, 1/4"-20 X 1/2"	8
7	260-1272	CYL BRACKET, 26 INCH 6" (RH)	1	30	H-29506	FHP #10-32 X 1/2" ZINC	8
8	260-1273	CYL BRACKET, 26 INCH 6" (LH)	1	31	H-33006	FW 5/16 ID X 3/4 OD ZINC	12
9	260-2215	2-1/2" STROKE ACTUATOR (36V 900Nm)	1	32	H-33008	FW 3/8 ID X 7/8 OD ZINC	10
10	260-8371	7-SPLINE CYL DRIVER (RED HARD COAT)	2	33	H-37019	NYLOK 1/4"-20 ZINC	22
11	260-9020	SIDE SUPPORT	2	34	H-37020	JNYL 1/4" - 20 ZINC	6
12	260-9024	26" ATTENUATOR	1	35	H-37021	NYLOK 5/16"-18 ZINC	22
13	260-9025	26" STIFFENER	1	36	H-37025	NYLOK 3/8"-16 ZINC	2
14	260-9026	26" SHELL	1	37	H-37126	JNYL 3/8-24 ZINC	2
15	260-9050	26" HOPPER	1	38	H-70003	HCS 1/4"-20 X 3/4" SS	4
16	264-8225	TIMING SPROCKET 56 TOOTH	2	39	H-70889	HOLE PLUG 7/8"	2
17	264-9002	MOTOR ADJ BRACKET	2	40	H-73777	BHSCS 5/16-18 X 1/2"	2
18	33008	FW 3/75 ID X 1 OD ZINC	2	41	H-90895	WASHER, SERRATED BELLEVILLE, 3/8", ZINC	8
19	370-8240A	BEARING HOUSING/BEARING	2	42	H-93201	SHCS 1/4-20 X 1/2 ZINC	5
20	650-8230	555-5M-25 HI-PERFORMANCE PD PLUS BELT	2	43	H-K14320	3/16" X 1 1/4" KEY	2
21	650-9004	MOTOR SPACER	2	44	M-9434T22	I.O DIA One Hole Tube Clamp	1
22	H-01125	3/16" X 1" KEY	2	45	M-9565K5	3/4 X 3/4 SQ TUBE PLUG	2
23	H-0953152	3/16" X 3/4" KEY	2	46	T-050R6000	BULK 1/2" X 5' WIRE REINFORCED SOLUTION HOSE	1

# 30 INCH CYLINDRICAL DECK



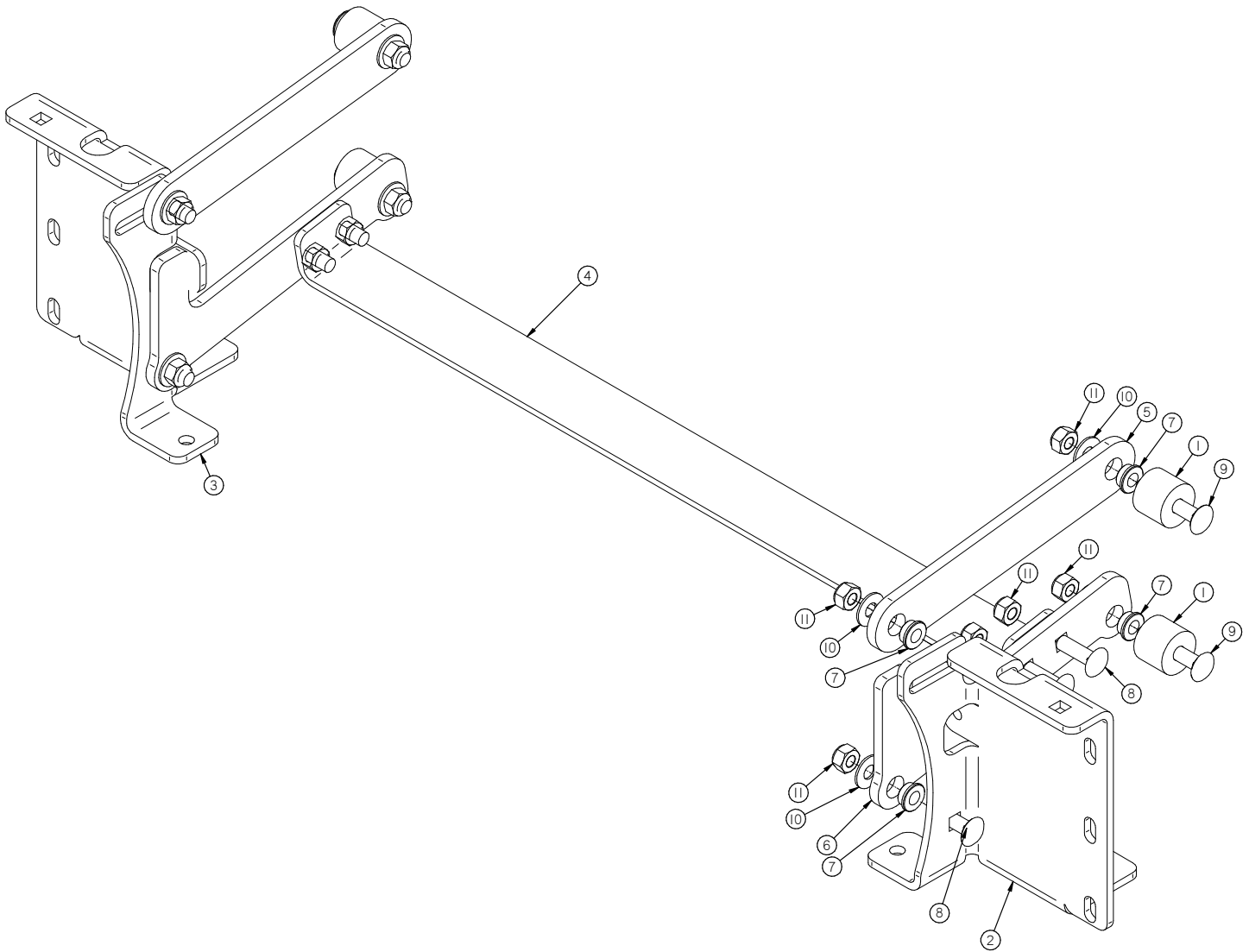
Item	Part No.	Part Description	Qty.	Item	Part No.	Part Description	Qty.
1	190-3030	4.0" WHEEL (GRAY)	2	24	H-17104	HCS 3/8"-24 X 7/8" ZINC	8
2	250-201	MOTOR, 36V, 3/4 HP, 350 RPM	2	25	H-21362	CB 3/8"- 16 X 2-1/4" ZINC	2
3	253-8215	TIMING SPROCKET 32 TOOTH	2	26	H-21795	CB 1/4"- 20 X 5" ZINC	2
4	253-9024	THUMB SCREW	4	27	H-21800	CB 1/4"- 20 X 5/8" ZINC	22
5	260-030C	30 INCH CYLINDRICAL STICKER	1	28	H-21810	CB 5/16"- 18 X 3/4" ZINC	22
6	260-1272	CYL BRACKET, 26 INCH 6" (RH)	1	29	H-25382	SETScrew, KCP, 1/4"-20 X 1/2"	8
7	260-1273	CYL BRACKET, 26 INCH 6" (LH)	1	30	H-29506	FHP #10-32 X 1/2" ZINC	8
8	260-2215	2-1/2" STROKE ACTUATOR (36V 900Nm)	1	31	H-33006	FW 5/16 ID X 3/4 OD ZINC	12
9	260-8371	7-SPLINE CYL DRIVER (RED HARD COAT)	2	32	H-33008	FW 3/8 ID X 7/8 OD ZINC	10
10	260-9006	DECK LIFTING BRACKET	1	33	H-37019	NYLOK 1/4"- 20 ZINC	22
11	260-9020	SIDE SUPPORT	2	34	H-37020	JNYL 1/4" - 20 ZINC	6
12	260-9028	30" ATTENUATOR	1	35	H-37021	NYLOK 5/16" - 18 ZINC	22
13	260-9029	30" STIFFENER	1	36	H-37025	NYLOK 3/8"-16 ZINC	2
14	260-9030	30" SHELL	1	37	H-37126	JNYL 3/8"-24 ZINC	2
15	260-9052	30" HOPPER	1	38	H-70003	HCS 1/4"-20 X 3/4" SS	4
16	264-8225	TIMING SPROCKET 56 TOOTH	2	39	H-70889	HOLE PLUG 7/8"	2
17	264-9002	MOTOR ADJ BRACKET	2	40	H-73777	BHSCS 5/16"-18 X 1/2"	2
18	33008	FW .375 ID X 1 OD ZINC	2	41	H-90895	WASHER, SERRATED BELLEVILLE, 3/8", ZINC	8
19	370-8240A	BEARING HOUSING/BEARING	2	42	H-93201	SHCS 1/4"-20 X 1/2 ZINC	5
20	650-8230	555-5M-25 HI-PERFORMANCE PD PLUS BELT	2	43	H-K14320	3/16" X 1 1/4" KEY	2
21	650-9004	MOTOR SPACER	2	44	M-9434T22	1.0 DIA One Hole Tube Clamp	1
22	H-01125	3/16" X 1" KEY	2	45	M-9565K5	3/4 X 3/4 SQ TUBE PLUG	2
23	H-0953152	3/16" X 3/4" KEY	2	46	T-050R6000	BULK 1/2" X 5' WIRE REINFORCED SOLUTION HOSE	1

# CYLINDRICAL DOOR



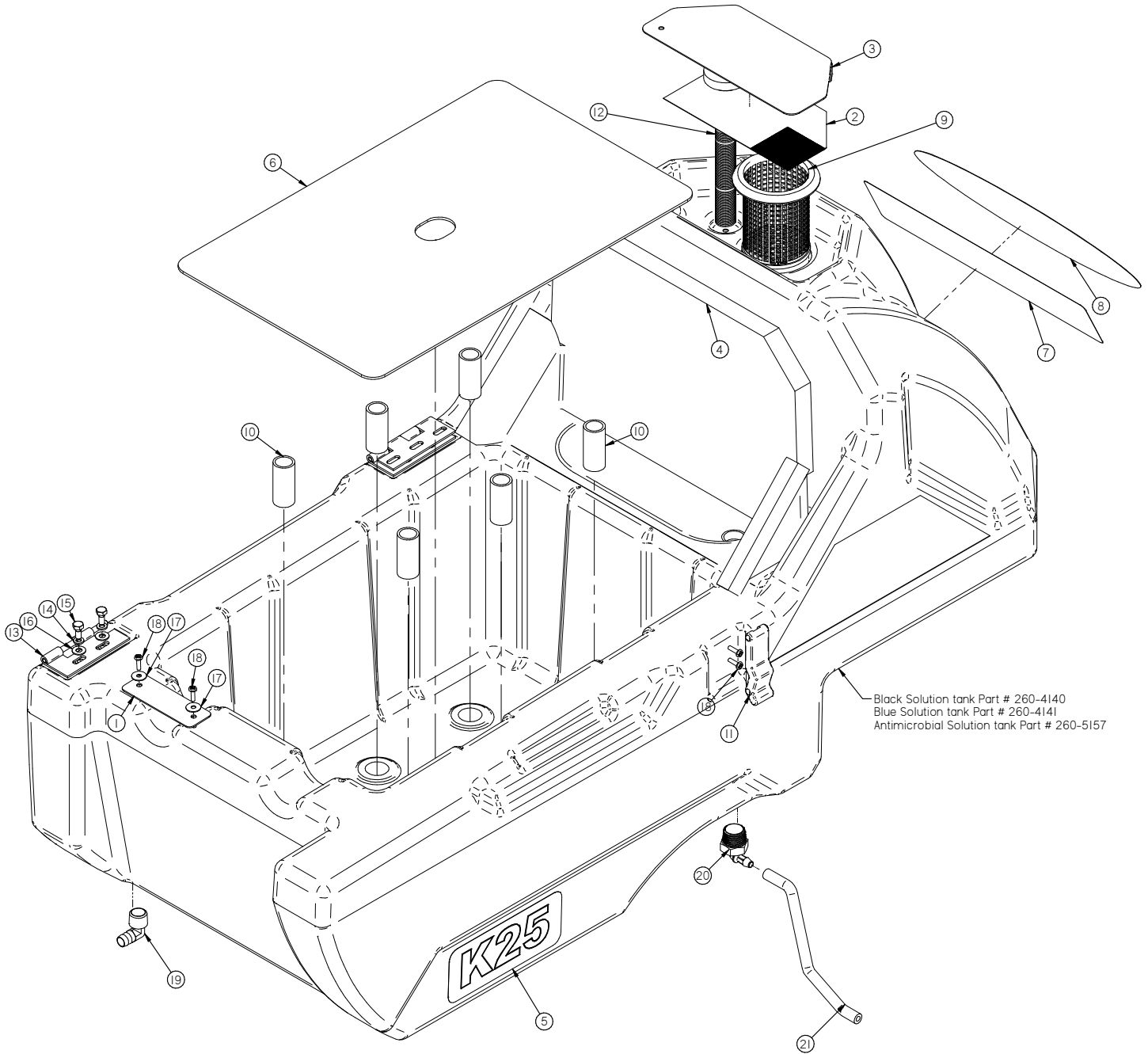
Item	Part No.	Part Description	Qty.
1	260-8373	7-SPLINE CYL IDLER (PVC)	1
2	260-9022	DRIVE COVER	1
3	264-9015	WIPER BAND	1
4	370-8241A	IDLER DRIVE BEARING	1
5	H- 21153	CB 1/4" - 20 X .75" ZINK	3
6	H-0953152	3/16" X 3/4" KEY	1
7	H-29506	FHP #10-32 X 1/2" ZINK	4
8	H-33008	FW 3/8 ID X 7/8 OD ZINK	1
9	H-37020	JNYL 1/4" - 20 ZINK	3
10	H-37126	JNYL 3/8- 24 ZINK	1

# CYLINDRICAL DECK ARM



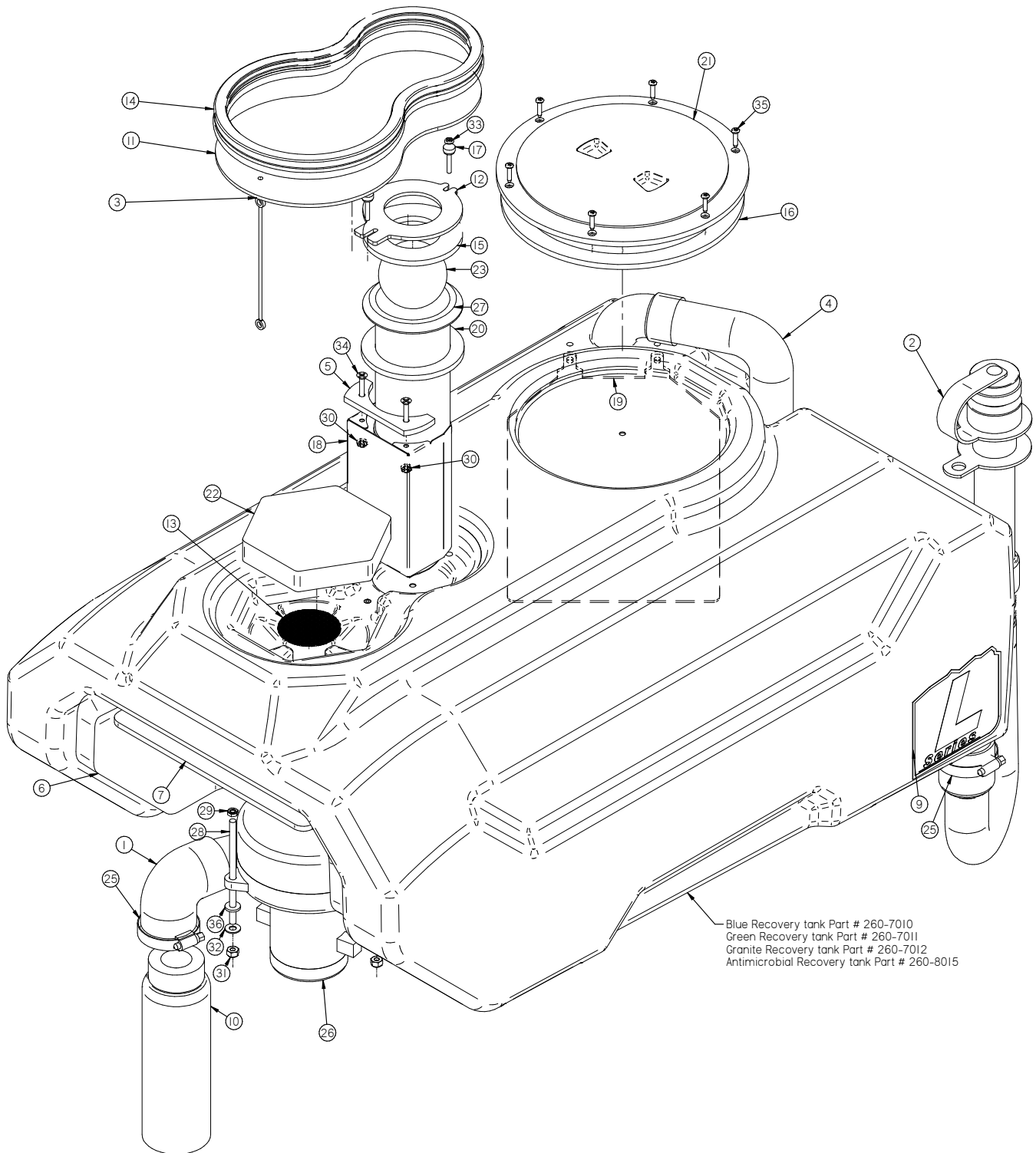
Item	Part No.	Part Description	Qty.
1	175-8460	STANDOFF, .8125"	4
2	260-9076	36V 30" (LHI) CYL. BRKT.	1
3	260-9077	36V 30" (RHI) CYL. BRKT.	1
4	260-9578	LIFT ARM CROSS BAR (36V) DISK	1
5	260-9589	CYLINDRICAL LATERAL ARM	2
6	260-9590	LATERAL ARM, CYLINDRICAL	2
7	370-1247	BUSHING 5/16 X 1/2 X 3/16	8
8	H-21811	CB 5/16"- 18 X 1" ZINK	8
9	H-21860	CB 5/16"- 18 X 1-3/4" ZINK	4
10	H-33006	FW 5/16 ID X 3/4 OD ZINK	8
11	H-37021	NYLOK 5/16" - 18 ZINK	12

# SOLUTION TANK ASSEMBLY



Item	Part No.	Part Description	Qty.	Item	Part No.	Part Description	Qty.
1	260-1126	BATTERY CABLE STRAP	1	12	500-1380	FILL HOSE	1
2	260-1128	SOLUTION FILL SCREEN	1	13	600-1220	4" SS HINGE	2
3	260-1129	SOLUTION FILL CURTIAN	1	14	H-0157797	LW 1/4" ZINK	4
4	260-1138	VAC MOTOR INSULATION	1	15	H-13002	HCS 1/4"-20 X 5/8" ZINK	4
5	260-1525	"MODEL DECAL"	2	16	H-33078	FW 1/4 ID X 5/8 OD ZINK	4
6	260-3004	BATTERY PLATE	1	17	H-71010	FW #10 ID X 11/16 OD SS	2
7	260-7200	"BRAND DECAL"	1	18	H-72399	PPH #8-32 X 5/8" S/S	4
8	260-7201	"BRAND DECAL"	1	19	M-53525K58	1/2 NPT X 1/2" BARB ELBOW, BRASS	1
9	260-8910	SOLUTION FILL BASKET	1	20	M-5463K507	3/4 NPT X 3/8 BARBED X 90 DEG	1
10	260-9140	TANK SPACER	6	21	T-02586000	BULK 1/4" ID X 5' BLUE VAC DRAIN HOSE	1
11	4-124	LATCH	1				

# RECOVERY TANK ASSEMBLY

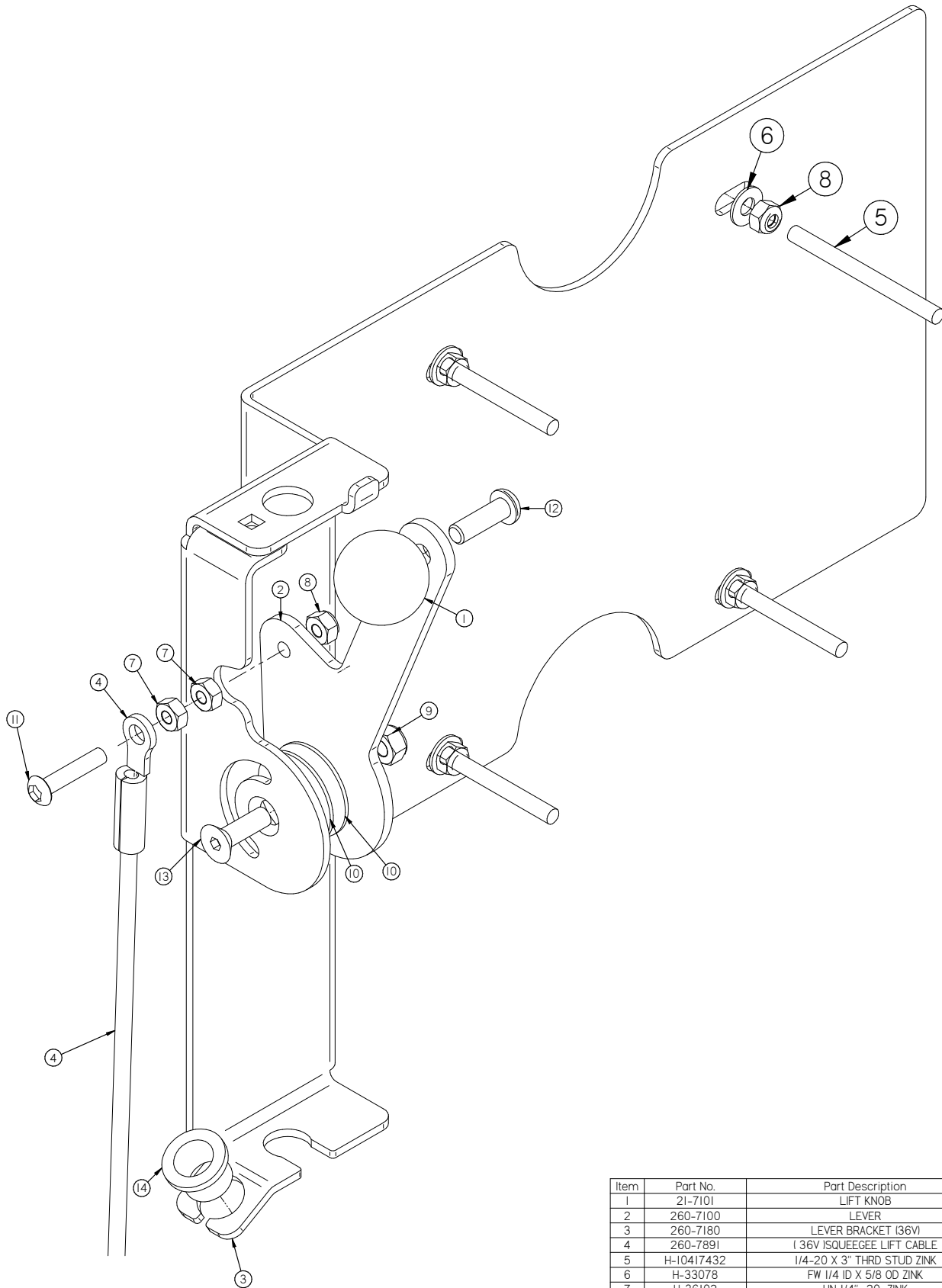


Blue Recovery tank Part # 260-7010  
 Green Recovery tank Part # 260-7011  
 Granite Recovery tank Part # 260-7012  
 Antimicrobial Recovery tank Part # 260-8015

Item	Part No.	Part Description	Qty.	Item	Part No.	Part Description	Qty.
1	150-7291	EXHAUST ELBOW	1	19	260-7001	TANK CURTAIN	1
2	175-7210	DRAIN HOSE	1	20	260-7380	STRAINER GASKET	1
3	21-4060	LANYARD	1	21	260-7425	TANK SCREW ON LID 10"	1
4	260-0115	SQUEEGEE HOSE	1	22	264-4086	VAC BOX FILTER	1
5	260-1133	TANK GASKET	1	23	38-712	OVERFILL SHUTOFF BALL	1
6	260-1137	VAC MOTOR INSULATION	1	24	4-124	CLIP, LATCH	1
7	260-1139	VAC MOTOR GASKET	1	25	5-719	CLAMP 1 9/16 - 2 1/2" SS	2
8	260-1143	VAC MOTOR GASKET	1	26	500-5250	36V VAC MOTOR, TANGENTIAL W/SNORKEL	1
9	260-1522	MODEL DECAL	1	27	7-711A	SCREEN STRAINER	1
10	260-2502	VAC MUFFLER	1	28	H-10330725	1/4"-20 X 5.0" THRD STUD ZINK	3
11	260-4048	REC TANK VAC COVER	1	29	H-37408	KN #10-32 ZINK	3
12	260-4080	BALL FLOAT TOP	1	30	H-70858	NYLOK #10-32 SS	2
13	260-4081	VAC SCREEN	1	31	H-70860	NYLOK 1/4"- 20 SS	3
14	260-4100	PUSH-ON RUBBER GASKET	1	32	H-71013	FW 1/4 ID X 5/8 OD SS	3
15	260-4103	BALL FLOAT GASKET	1	33	H-72419	PPH #8-32 X 1-1/4" S/S	2
16	260-4106	8 INCH LID GASKET	1	34	H-72685	FHP 10-32 X 1" SS	2
17	260-4180	8-32 THUMB NUT	2	35	H-72916	PPH SMS #8 X 3/4" SS	6
18	260-7000	BAFFLE	1	36	M-90130A029	.25" NEOPRENE WASHER	3

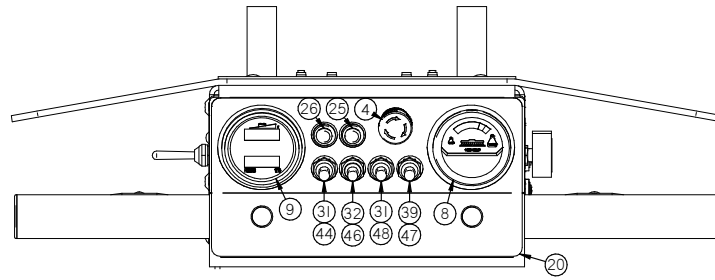


# SQUEEGEE LIFT BRACKET

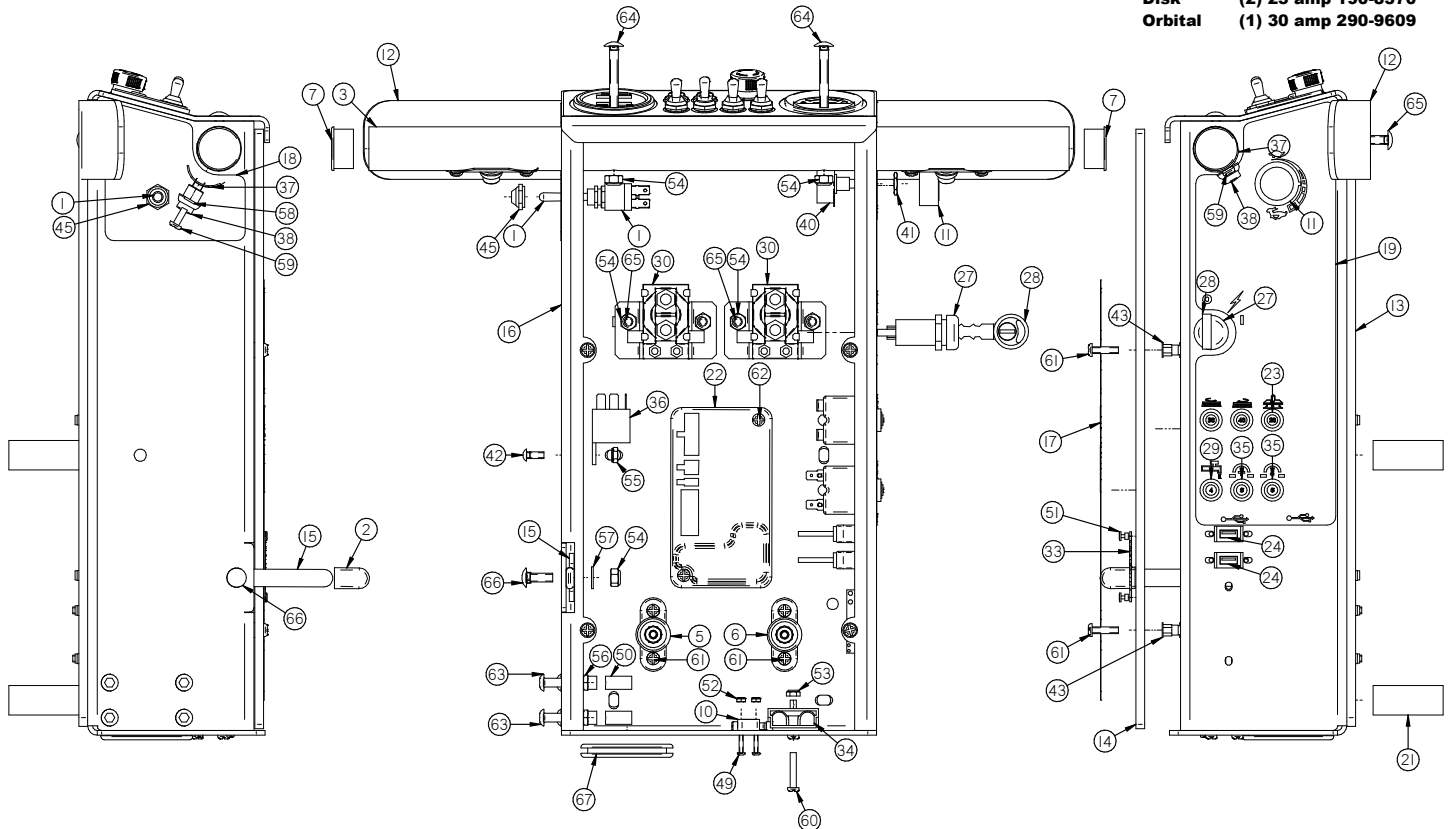


Item	Part No.	Part Description	Qty.
1	21-7101	LIFT KNOB	1
2	260-7100	LEVER	1
3	260-7180	LEVER BRACKET (36V)	1
4	260-7891	1/36V SQUEEGEE LIFT CABLE	1
5	H-10417432	1/4-20 X 3" THRD STUD ZINK	4
6	H-33078	FW 1/4 ID X 5/8 OD ZINK	4
7	H-36102	HN 1/4" - 20 ZINK	2
8	H-37019	NYLOK 1/4" - 20 ZINK	5
9	H-37021	NYLOK 5/16" - 18 ZINK	1
10	H-921052416	FW .390" X 1-1/2" NYLON	2
11	H-94054	BHSCS 1/4 - 20 X 1-1/2" SS	1
12	H-94071	BHSCS 5/16-18 X 1 ZINK	1
13	H-94256	FHSCS 5/16"- 18 X 1" ZINK	1
14	M-9440T26	.625 ID X .75 OD X .625 LG FLANGED BEARING	1

# CENTRAL COMMAND



**Circuit Breakers**  
**Cylindrical (2) 20 amp 260-8270**  
**Disk (2) 25 amp 190-8370**  
**Orbital (1) 30 amp 290-9609**



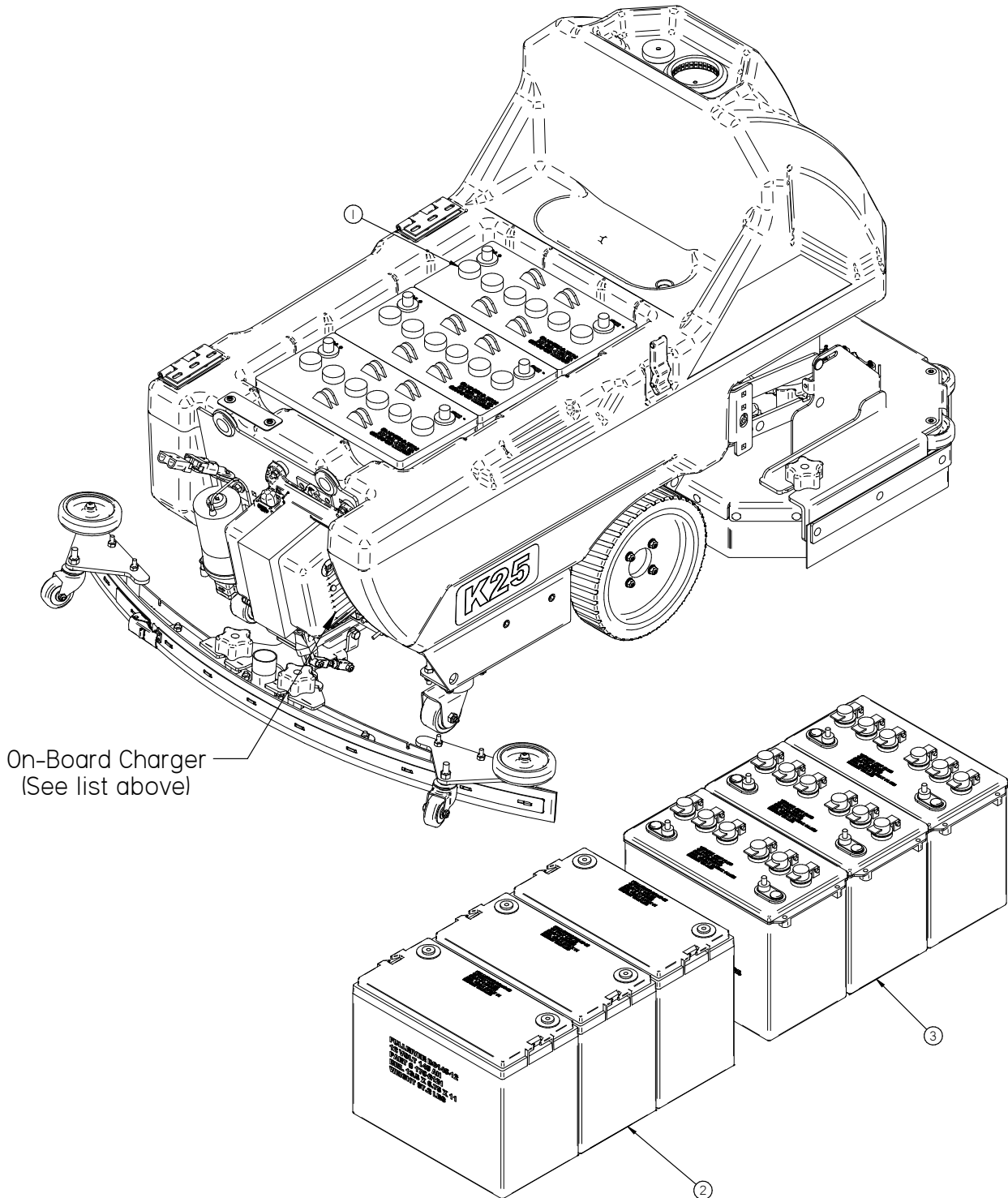
Item	Part No.	Part Description	Qty.	Item	Part No.	Part Description	Qty.
1	150-2830	SWITCH, TOGGLE, MOM/OFF/MOM (DPDT)	1	35	4-284	FUSE, RESETTABLE, 6 AMP, 50V DC MAX	2
2	150-4480	HANDLE GRIP (BLUE)	1	36	5-293	15 AMP RELAY	1
3	170-1041	HANDLE BAR (DUAL BUTTON)	1	37	7-228	SWITCH MOUNT PLATE	2
4	175-0300	Emergency stop switch, 51 series, IC/O	1	38	7-229D	PUSH BUTTON SWITCH	2
5	175-2700	NEG INSULATOR POST (BLACK)	1	39	7-283	SWITCH, TOGGLE, MOM/OFF/MOM (DPDT)	1
6	175-2710	POS INSULATOR POST (RED)	1	40	7-292	5K POTENTIOMETER	1
7	190-1390	END CAP	2	41	H-0147994	3/8-32 X 1/2 PANEL NUT	1
8	190-4852	BRUSH PRESSURE GAUGE, 40 AMP	1	42	H-0172518	CB #10-32 X 1/2" SS	1
9	200-4855	36V BATTERY AND HOUR METER	1	43	H-1032HCN	HCN #10-32	10
10	21-2230	MICRO SWITCH	1	44	H-11195	PROTECTIVE BOOT, TOGGLE SWITCH, (WHITE)	1
11	21-4520	SPEED CONTROL KNOB, RED	1	45	H-11196	PROTECTIVE BOOT, TOGGLE SWITCH, (RED)	1
12	260-1293	HAND GUARD	1	46	H-11199	PROTECTIVE BOOT, TOGGLE SWITCH, (BLUE)	1
13	260-2000	CONTROL PANEL WEIGHT	1	47	H-11200	PROTECTIVE BOOT, TOGGLE SWITCH, (BLACK)	1
14	260-2001	CONTROL PANEL COVER	1	48	H-11201	PROTECTIVE BOOT, TOGGLE SWITCH, (GRAY)	1
15	260-2003	VALVE LEVER (24V CCI)	1	49	H-28667	PHP MS 4-40 X 3/4"	2
16	260-2011	CENTRAL COMMAND	1	50	H-33372	SHAFT COLLAR, 3/8" ID	4
17	260-2021	CENTRAL COMMAND STICKER (FRONT)	1	51	H-41007	AB4-3A BLIND RIVET	4
18	260-2021	CENTRAL COMMAND STICKER (LH SIDE)	1	52	H-70854	NYLON #4-40 SS	2
19	260-2021	CENTRAL COMMAND STICKER (RH SIDE)	1	53	H-70856	NYLON #8-32 SS	2
20	260-2021	CENTRAL COMMAND STICKER (TOP)	1	54	H-70860	NYLON 1/4"-20 SS	9
21	260-2701	CENTRAL COMMAND SPACER	4	55	H-70923	KN #10-32 SS	3
22	260-2899	IDRIVE 24V/36V, 70 AMP CONTROLLER	1	56	H-70925	KN 1/4-20 S/S	4
23	260-8270	FUSE, RESETTABLE, 20 AMP	1	57	H-71013	FW 1/4 ID X 5/8 OD SS	1
24	264-2590	USB PORT	1	58	H-71057	LW #8, SS	4
25	290-2310	FULL RECOVERY (RED)	1	59	H-72398	PPH #8-32 X 1/2" S/S	4
26	290-2320	BLUE LIGHT	1	60	H-72418	PPH #8-32 X 1" S/S	2
27	290-234	KEY SWITCH (WITH KEY)	1	61	H-72534	PPH #10-32 X 3/4" S/S	8
28	290-234A	KEY SET (REPLACE)	1	62	H-72536	PPH #10-32 X 1" S/S	2
29	349-9604	FUSE, RESETTABLE, 4 AMP, 50V DC MAX	1	63	H-73752	BHSCS 1/4 - 20 X 1/2" SS	4
30	370-2331	RELAY, 36V, SMALL W/FLAT MTG PLATE	2	64	H-74396	CB 1/4"- 20 X 1-3/4" SS	2
31	370-8210	SWITCH, TOGGLE, ON/OFF (DPDT)	2	65	H-74418	CB 1/4"- 20 X 5/8" S/S	6
32	370-8920	TOGGLE, ON-OFF SPST	1	66	H-74419	CB 1/4"- 20 X .75" SS	1
33	4-101	SERIAL NUMBER PLATE	1	67	H-9307K99	GROMMET, 2" ID X 2-5/8" OD	1
34	4-259	CONNECTOR, RED 50, HOUSING ONLY	1				

# BATTERY PACK AND CHARGERS

See charger operator manuals for proper programming

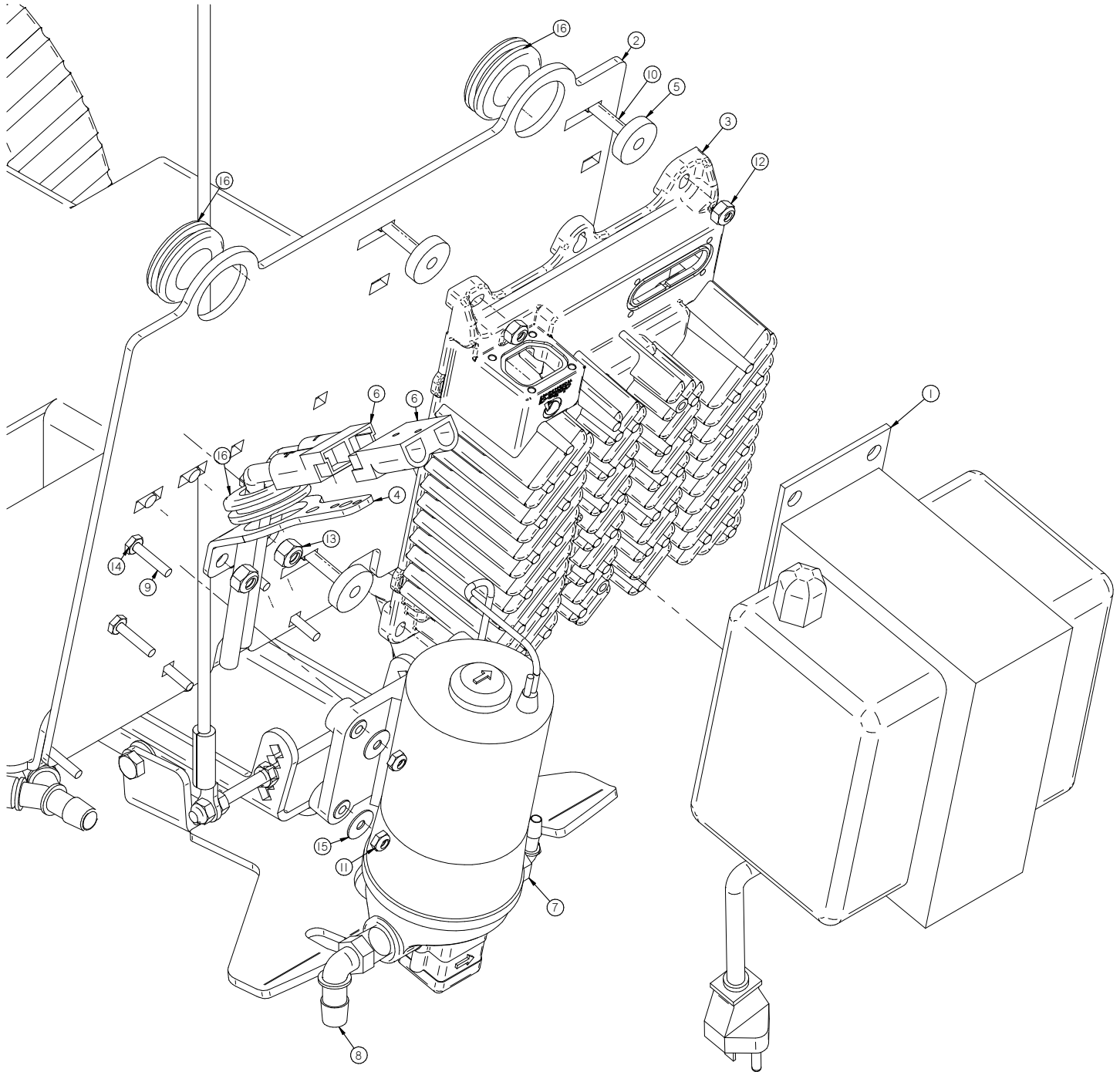
## WHICH BATTERY CHARGER TO USE WITH BATTERY SELECTION

Battery Part Number & Description	Off-Board Charger	On-Board Charger	Optional On-Board Charger
200-2110 150AH Trojan	600-2540	250-2441	260-2460
260-2110 150AH Crown	600-2540	250-2441	260-2460
170-2121 140AH Full River	600-2540	260-2441	260-2460



Item	Part No.	Part Description	Qty.
1	170-2111	BATTERY, 12 V, 155 AH	2
2	170-2121	BATTERY, 12 V, 140 AH FULL RIVER	3
3	200-2110	J150 PLUS 12V 150AH BATTERY	3

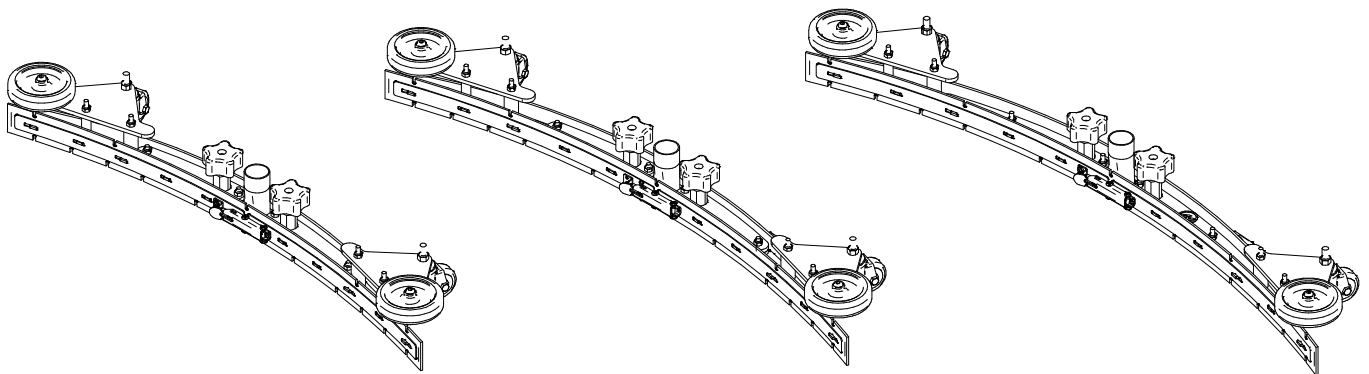
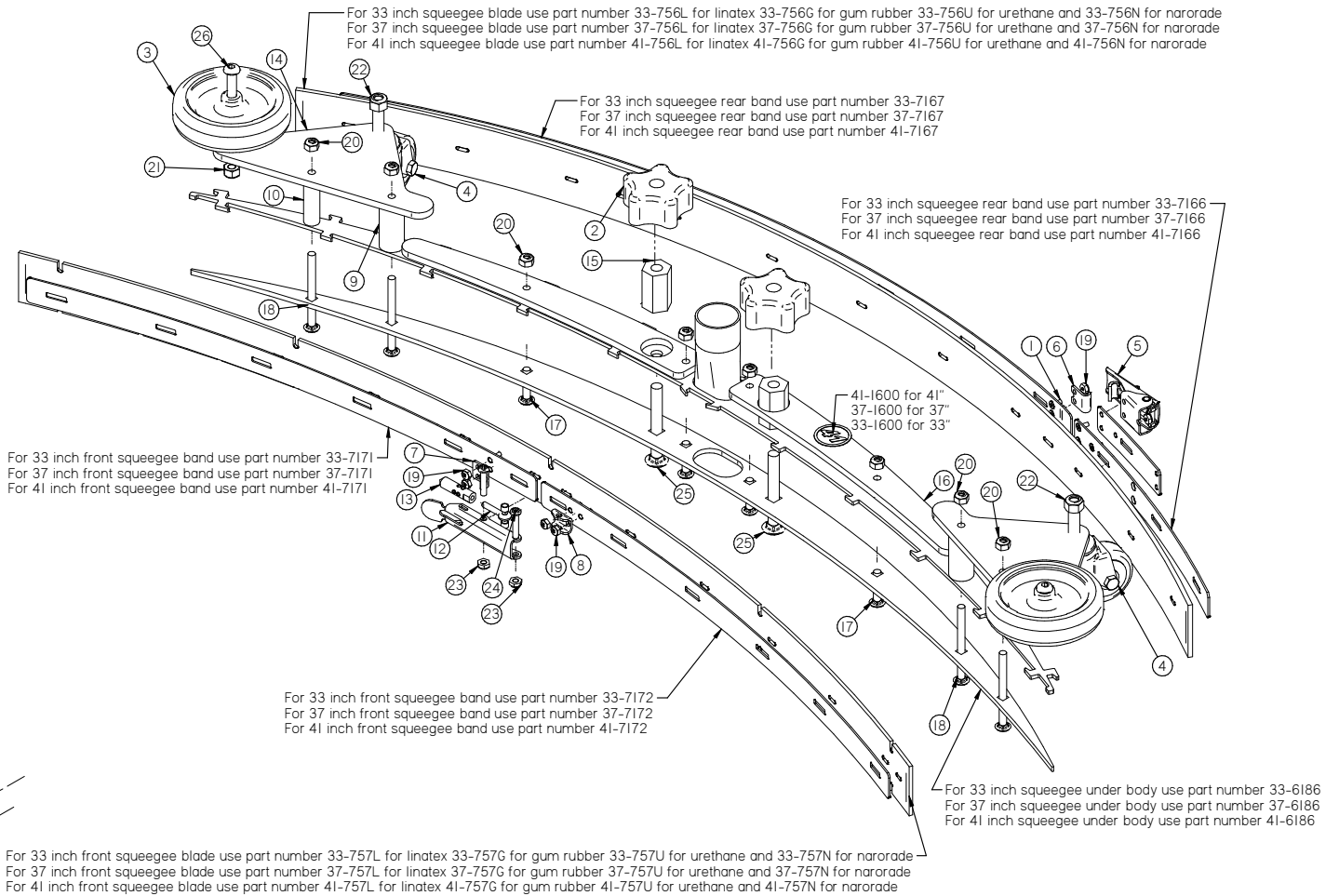
# OPTIONS



Item	Part No.	Part Description	Qty.
1	250-2441	36 VOLT 25 AMP BATTERY CHARGER	1
2	260-1012	UTILITIES PLATE (.36V.)	1
3	264-2440	ONBOARD CHARGER (.36V.)	1
4	264-9516	CHARGER CONECTOR BRACKET	1
5	300-01033Z	20 & 28" SPACER	4
6	4-260	CONNECTOR, GREY 50	2
7	400-1225	.375 NPT X .25 BARB X 90 DEG	1
8	H-04763	ELBOW, 90 DEG X 3/8" MNPT X 1/2" BARB, NYLON	1
9	H-21057	CB #10-24 X 1-1/4" ZINK	4
10	H-21157	CB 1/4"- 20 X 1.25" ZINK	2
11	H-37015	NYLOK #10-32 ZINK	4
12	H-37019	NYLOK 1/4"- 20 ZINK	2
13	H-37021	NYLOK 5/16" - 18 ZINK	2
14	H-37408	KN #10-32 ZINK	3
15	H-71010	FW #10 ID X 11/16 OD SS	4
16	H-9307K74	GROMMET, 1" ID X 1-3/4" OD BUNA-N	3

# SQUEEGEES

Item	Part No.	Part Description	Qty.	Item	Part No.	Part Description	Qty.
1		FHSCS #6-32 X 3/8" S/S	9	14	35-7183	SQUEEGEE CASTER BRACKET	2
2	150-5786	STAR KNOB, 3/8-16 THREAD	2	15	35-8460	STANDOFF, 1.5"	2
3	150-7600	4" SIDE WHEEL (GREY)	2	16	45-6187	SQUEEGEE WEIGHT	2
4	253-7570	CASTER	2	17	H-21157	CB 1/4"- 20 X 1.25" ZINK	4
5	29-7164	LATCH	1	18	H-21165	CB 1/4"- 20 X 3.0" ZINK	4
6	29-7168	BAND CLIP	1	19	H-37010	NYLOK #6-32 SS	9
7	29-7170	FRONT BAND CLIP	1	20	H-37019	NYLOK 1/4"- 20 ZINK	8
8	29-7173	FRONT BAND CLIP	1	21	H-37021	NYLOK 5/16"- 18 ZINK	2
9	35-0007	SQUEEGEE ROLLER SPACER	2	22	H-37025	NYLOK 3/8"-16 ZINK	2
10	35-0008	SQUEEGEE ROLLER SPACER	2	23	H-70858	NYLOK #10-32 SS	2
11	35-0125-01	LATCH BODY	1	24	H-72536	PPH #10-32 X 1" S/S	2
12	35-0125-03	1/4-20 X 3.00 LG EYE BOLT, FULL THREAD	1	25	H-74441	CB 3/8"- 16 X 3.0" SS	2
13	35-0126	RAM TIP	1	26	H-94074	BHSCS 5/16-18 X 1.75 ZINK	2



33 INCH SQUEEGEE ASSEMBLY 233-7180

37 INCH SQUEEGEE ASSEMBLY 237-7180

41 INCH SQUEEGEE ASSEMBLY 241-7180

## OTHER

### COMMON WEAR PARTS

#### EDGE PADS AND SCREENS:

DESCRIPTION	24"×14" SCRUBDECK	28"×14" SCRUBDECK
White Pad	N/A	EDGE-4054
Red Pad	EDGE-2404	EDGE-4053
Blue Pad	EDGE-2403	EDGE-4052
Green Pad	EDGE-2402	EDGE-4051
Black Pad	EDGE-2401	EDGE-4050
White Driver Pad	N/A	EDGE-4058
60 Grit Sand Screen	N/A	EDGE-4059
80 Grit Sand Screen	N/A	EDGE-4060
100 Grit Sand Screen	N/A	EDGE-4061
120 Grit Sand Screen	N/A	EDGE-4062
150 Grit Sand Screen	N/A	EDGE-4063
400 Grit HD Non Woven Polishing Pad	N/A	300-2014400
800 Grit HD Non Woven Polishing Pad	N/A	300-2014800
1500 Grit HD Non Woven Polishing Pad	N/A	300-20141500
3000 Grit HD Non Woven Polishing Pad	N/A	300-20143000
6000 Grit Diamond Poly Pad	N/A	EDGE-4070
Tile/Grout Renovator Pad	N/A	EDGE-4048
Dominator HD Strip Pad	N/A	EDGE-4055
Maroon ECO Prep Pad	EDGE-2407	EDGE-4056
Microfiber Pad	EDGE-2436	EDGE-6036

## Common Wear Parts

ROUND DISK BRUSHES:**NOTICE**

The ## in Disk Column Denotes Desk Pad Size: 14", 16"

BRUSHES	DISK	LEVEL
Midi Grit	706-##C	Medium
Light Grit	706-##PS	Moderate
Nylon	706-##N	Light
Pad Driver	706-##D	
Pad Driver Pad Retainer	#40-433	
Pad Driver Spring Clip	#40-423	

ROUND DISK PADS:**NOTICE**

The ## in Disk Column Denotes Desk Pad Size: 14", 16"

DISK PADS	DISK	LEVEL	COLOR
Super Black	##-422BB	Very High	Black
Black	##-422B	High	Black
Brown	##-422BR	High	Brown
Green	##-422G	Medium	Green
Blue	##-422BL	Moderate	Blue
Red	##-422R	Moderate	Red
White	##-422W	Light	White

CYLINDRICAL BRUSHES:

BRUSHES	MODEL 26" CYLINDRICAL	MODEL 30" CYLINDRICAL	LEVEL
Midi Grit	75-246C	75-286C	Medium
Light Grit	75-246PS	75-286PS	Moderate
Nylon	75-246N	75-286N	Light

OTHER

Squeegee Blade Kits

**SQUEEGEE BLADE KITS & COMPLETE SQUEEGEE ASSEMBLIES:**

SQUEEGEE SIZE	24" DECK	26" DECK	28" DECK	30" DECK	32" DECK
37" Squeegee	Standard	Standard	Standard	Optional	Optional
41" Squeegee	Optional	Optional	Optional	Standard	Standard

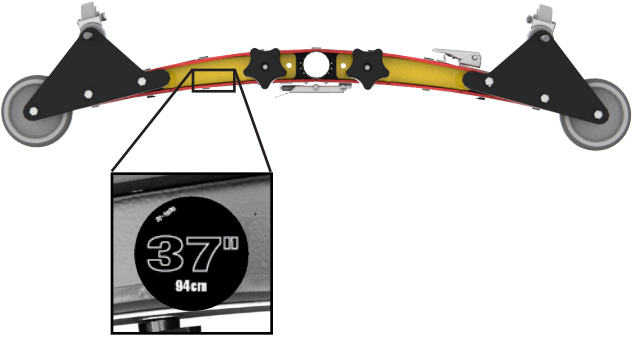
SQUEEGEE SIZE	LINATEX BLADE KIT	GUM RUBBER BLADE KIT	URETHANE BLADE KIT	NANORADE BLADE KIT	COMPLETE SQUEEGEE ASSEMBLIES
37" Squeegee	237-770L	237-770G	237-770U	237-756N	237-7180
41" Squeegee	241-770L	241-770G	241-770U	241-756N	241-7180

SQUEEGEE MATERIAL:	USED FOR:
LINATEX	Provides best wear and tear resistance. Not designed for use with harsh chemicals.
URETHANE	Provides best resistance when dealing with harsh chemicals, oils, fuels, etc.
GUM	Provides best drying performance on rough/ grouted floor types by sealing over irregularities. Short life.
NANORADE	Increased durability, optimal water pick up and reduced friction.

**NOTICE**  
Squeegee blade kits include (1) Rear Blade, (1) Front Blade, and (2) Caster Wheels with hardware.

**NOTICE**  
Squeegee Assemblies (complete) listed above all come with Linatex blades.

**NOTICE**  
Size is denoted by label on top squeegee.



The diagram shows a top-down view of a squeegee assembly. It consists of a central yellow blade mounted on a black frame. The frame has two black wheels at the ends. A callout box with a black background and white text shows a close-up of a label on the top of the blade. The label has the number '37' in a large font, with '00' to its right, and '94cm' below it.



**BLANK**

THIS PAGE WAS INTENTIONALLY LEFT BLANK

